

USER MANUAL INSTALLATION GUIDE

HH-SERIES VIDEO WALL DISPLAY

TABLE OF CONTENTS

Copyright	3
1. Safety Precautions	4
1.1 Product usage requirements.....	4
1.2 Handling	4
1.3 Installation	4
1.4 Plug-in	4
1.5 Power and signal connection line	4
1.6 Batteries	5
1.7 Usage Environment	5
1.8 Cleaning the display	5
2. Contents	6
3. Product Specifications	7
4. Connect Terminals	8
5. Installation.....	9-18
5.1 Installing the mounting rails for the Hook&Hang mounting system.....	9-10
5.2 Installing the Video Wall using Hook & Hang mounting system.....	11-13
5.3 Alignment of displays & preventing damage	13
5.4 Installing displays using off brand VESA mounting brackets	14
5.5 Installing displays in portrait orientation using Vertical Conversion Bar.....	15-16
5.6 Installing displays in portrait orientation using off brand VESA mounting brackets.....	17
5.7 Securing the display and bracket into place with locking bolt.....	18
5.8 Cabling & Settings Configuration: 4K input daisy-chain	19
5.9 Cabling & Settings Configuration: Direct connection to source	20
5.10 Cabling: Daisy chaining IR Cable (for remote controller)	21
5.11 Cabling: Daisy chaining UART protocol cable	22
6. OSD (On Screen Display)	23-28
Picture	
6.1 Picture mode	23
6.2 Color Temperature.....	23
6.3 Size mode.....	23
Sound	
6.4 Sound mode.....	24
6.5 Auto volume.....	24
6.6 HDMI sound.....	24
Time	
6.7 Clock	25
6.8 Off time.....	25
6.9 On time.....	25
6.10 Sleep timer.....	25
Set up	
6.11 Language.....	26
6.12 Restore default	26
6.13 Key lock	26
6.14 DCR	26
6.15 Pixel shift	26
6.16 Software update (USB)	27
Multi	
6.17 Temp control	27
6.18 Multi function	28
7. Remote Control	29
8. ZD WALL CONTROL.....	30-32
9. Warranty Policy	33

COPYRIGHT

THE CONTENTS OF THIS USER MANUAL ARE SUBJECT TO CHANGE WITHOUT NOTICE TO IMPROVE QUALITY. THIS MANUAL CONTAINS INFORMATION REGARDING SAFETY PRECAUTIONS, CONTENTS, PRODUCT SPECIFICATIONS, INSTALLATION, OSD (On Screen Display), ZD WALL CONTROL SOFTWARE AND WARRANTY POLICIES.

COPYRIGHT © 2019 BY ZOOM DIGITAL SIGNAGE. ALL RIGHTS RESERVED.

1.0 SAFETY PRECAUTION

Please read carefully before using product! RISK OF ELECTRIC SHOCK DO NOT OPEN. TO REDUCE THE RISK OF ELECTRIC SHOCK, DO NOT REMOVE COVER OR BACK. THERE ARE NO USER SERVICEABLE PARTS INSIDE. REFER ALL SERVICING TO QUALIFIED PERSONNEL.

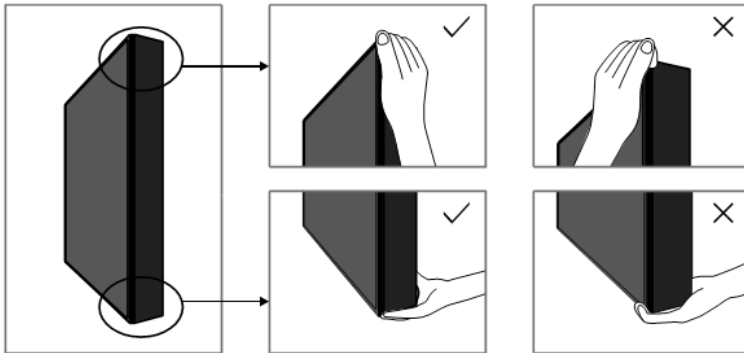
• 1.1 Product Usage Requirements

- DO NOT cover or block the vents of heat radiation in the back of the display.
- DO NOT use a sharp edge, metal, or liquid to touch the signal connectors as they may short circuit or damage the display.
- DO NOT disassemble this machine by yourself as it may damage the machine, cause bodily harm, and void your warranty.
- DO NOT touch the panel surface with your finger, as it will damage the panel surface.
- DO NOT apply any pressure onto the LCD panel as it is very fragile.
- Type I Equipment requires a three-core power line.

Type I Equipment has a three-core power line. Power line requires a properly corresponding type of power strip landing. Terminals with the electricity symbol are dangerous and may cause electrocution. These terminals should be set up by a professional electrician or by using ready-made lead or flexible wires.

• 1.2 Handling

- Please unplug all connecting cables before handling the display.
- Please have two or more people to help handle commercial displays over 46 inches.
- Please use original packaging materials to pack the display for repair or movement.
- Please buttress the back and bottom side during lifting or moving the display.
- Please carry using handles whenever possible.
- DO NOT apply pressure into the panel during its handling.
- DO NOT tilt display forward on any surface, as this will cause pressure to the LCD causing possible damage.



• 1.3 Installation

- For proper installation, it is strongly recommended to use a well trained technician.
- Design of installation setup should be done according to the products configuration size drawing. Please ask seller if a drawing is needed.
- Usage of original accessories is strongly recommended to ensure reliable and safe installation.
- Please reserve reasonable operation space for heat radiation during display installation.
- See Section **4.0 Installation** for various bracket installations and cabling.

• 1.4 Plug-in

- Pull out all power cords before any installation, movement, or adjustments.
- Unplug power cords if product is not used for a long time.
- Unplug power cords if the power line or plug is damaged.

• 1.5 Power and Signal Connection Line

- Ensure there are no physical objects obstructing the power or signal connection lines.
- Place the power and signal connection lines in areas where they will not be stepped on.
- DO NOT overload the power plug or power line.
- Avoid placing power and signal connecting lines in wet areas.
- The power plug is the on/off setting of the machine and should be gently plugged/unplugged.
- The display will automatically go to STANDBY MODE if it does not detect an input source.

1.0 SAFETY PRECAUTION

• 1.6 Batteries

- DO NOT expose the batteries (battery package or group of batteries) to sunshine, bright lights, or any hot environment.
- Please recycle worn-out batteries in order to protect the environment.
- Please take note if the displays have changeable batteries.

CAUTION: Batteries have a danger of exploding when incorrectly changed. The same model or type of battery MUST be used.

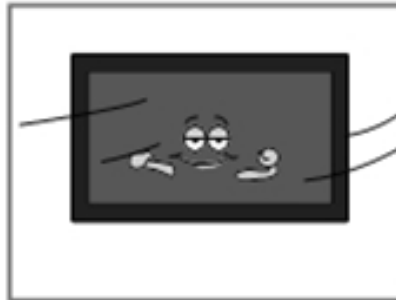
CAUTION: To avoid injury, the display and its cords must be affixed tightly to the floor/wall according to this installation manual.

• 1.7 Usage Environment

CAUTION: Only use in non-tropical climates.



DO NOT place product on an unstable cart, frame, or desk



Place product in an area with good ventilation



DO NOT place product in a hot or wet environment.



DO NOT place product in direct sunlight



Avoid placing items next to the product that can get it wet, such as a flower vase.



DO NOT place product in a dirty area.

• 1.8 Cleaning the Display

- DO NOT use detergents that contain alcohol, solvent or surface-active agents.
- DO NOT spray water or detergent directly on the display.

Please install or adjust this product according to this user manual. DO NOT operate or adjust this product without reading. Please pull out power cord and inform our company customer service/ technology person to treat if product is damaged by impact or falling.

2.0 CONTENTS

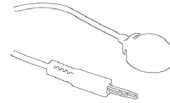
When purchasing HH-Series Video wall displays, the box should contain the display and the following:



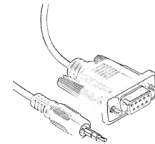
Power Cable - 6ft



HDMI Cable - 6ft



IR Receiver Cable - 6ft
(1 per system set)



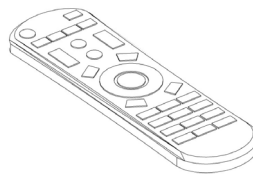
UART to RS-232 Cable
(1 per system set)



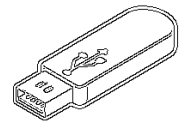
3.5mm AUX Cable - 6ft
(for IR daisy chain)



3.5mm AUX Cable - 6ft
(for UART daisy chain)



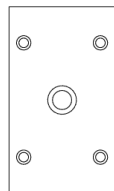
Remote Control & Batteries
(1 per system set)



USB Drive *
(1 per system set)



Holder Ring, 11mm washer,
M8 Bolt (4 each)



VESA Conversion Plate,
M4 Bolt (4 each) **



Bracket Safety Bolt
M4 60mm (4 each)

* This User Manual, Product Warranty Card, and additional product information is included in the USB Drive and will also be digitally available after purchase - please contact your sales representative and they will provide the files per your request. If optional ZD WALL CONTROL software is purchased, the USB will also be the license activation Dongle.

** The displays come with four VESA Conversion Plates; if installing using different mounting apparatus, please add the VESA Conversion Plate and remove the Holder Rings from your mounting brackets. If you are missing any components, please contact your sales representative or contact the manufacturer directly at 855.ZOOMDS1.

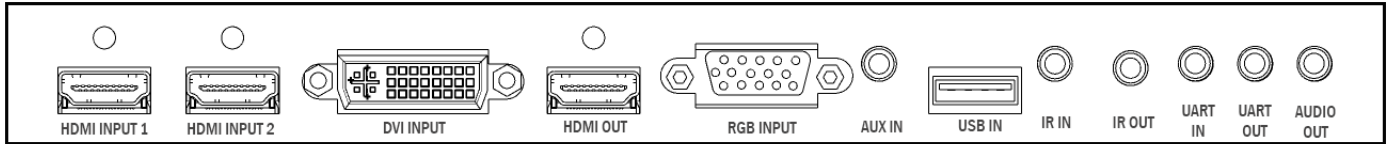
3.0 PRODUCT SPECIFICATIONS

HH-Series video wall displays come in various sizes, brightness and bezel thickness. The 65" ZH652K comes in 4K UHD resolution.

HH Series Specification								
	ZH461K	ZH462L	ZH551K	ZH552K	ZH551L	ZH552L	ZH551ML	ZH652K
Backlight Type	D-LED	D-LED	D-LED	D-LED	D-LED	D-LED	WLED	D-LED
Display Size	46 inches	46 inches	55 inches	55 inches	55 inches	55 inches	55 inches	65 inches
Resolution	1920 x 1080	1920 x 1080	1920 x 1080	1920 x 1080	1920 x 1080	1920 x 1080	1920 x 1080	3840 x 2160
Luminance	500 nits	700 nits	500 nits	700 nits	500 nits	700 nits	500 nit	700 nits
Contrast Ratio	3500 : 1	3500 : 1	4000 : 1	4000 : 1	4000 : 1	4000 : 1	1100:1	4000 : 1
Aspect Ratio	16 : 9	16 : 9	16 : 9	16 : 9	16 : 9	16 : 9	16 : 9	16 : 9
Viewing Angle	178°	178°	178°	178°	178°	178°	178°	178°
Bezel (combined)	3.5mm	1.7mm	3.5mm	3.5mm	1.7mm	1.7mm	0.88mm	3.7mm
Mounting	Hook & Hang / VESA 600mm x 400mm / Floorstand Portrait Orientation possible with conversion bar							
Inputs/Outputs	HDMI	2 / 1	2 / 1	2 / 1	2 / 1	2 / 1	2 / 1	2 / 1
	DVI	1 / 0	1 / 0	1 / 0	1 / 0	1 / 0	1 / 0	1 / 0
	VGA	1 / 0	1 / 0	1 / 0	1 / 0	1 / 0	1 / 0	1 / 0
	USB	1 / 0	1 / 0	1 / 0	1 / 0	1 / 0	1 / 0	1 / 0
	AUX	1 / 1	1 / 1	1 / 1	1 / 1	1 / 1	1 / 1	1 / 1
	UART	1 / 1	1 / 1	1 / 1	1 / 1	1 / 1	1 / 1	1 / 1
	IR	1 / 1	1 / 1	1 / 1	1 / 1	1 / 1	1 / 1	1 / 1
(Optional Add-on) DP	1 / 0	1 / 0	1 / 0	1 / 0	1 / 0	1 / 0	1 / 0	
Refresh Rate	Up to 4K @ 60 Hz							
Operating Temp	41° - 95° Farenheit; with built in temperature sensor and fans with temperature margin control (hysteresis)							
Input Voltage	110~220v	110~220v	110~220v	110~220v	110~220v	110~220v	110~220v	110~220v
Avg. Power Consumption	160W	160W	170W	180W	170W	180W	250W	280W
Max Power Consumption	190W	190W	200W	210W	200W	210W	280W	406W
Standby Power Consumption	< 1 W	< 1 W	< 1 W	< 1 W	< 1 W	< 1 W	<1W	< 1 W
Lamp Lifetime	Min 50,000 hrs							
Panel Dimensions (mm)	1020 x 574.6 x 87		1211.6 x 682.2 x 88.5		1211.6 x 682.2 x 88.5		1211 x 681.7 x 88.5	1428.48 x 803.52 x 88.5

Specifications subject to change without notice for quality assurance.

4.0 Connection Terminal



Ports	Description
HDMI 2.0 Input 1	Connects to a source device using an HDMI Cable
HDMI 2.0 Input 2	Connects to a source device using an HDMI Cable
DVI Input	Connects to a source device using an DVI Cable
HDMI 2.0 Output	Connects to another display using HDMI 2.0 Cable for UHD signal daisy chain (LOOP OUT)
RGB Input	Connects to a source device using a D-SUB cable.
AUX Input	Receives sound from a source device via an audio cable
USB Input	Connect to a USB Memory Device (for media player or software update)
IR Input	Supplies power to the external sensor or recives the light sensor signal (for remote control)
IR Output	Receives the remote control signal via LOOP OUT
UART Input	Connects to ZD WALL CONTROL using UART cable
UART Output	Receives signal from UART cable
Audio Output	Connects the audio to another product using audio cable (LOOP OUT)

The HH-Series has 5 input sources, with an HDMI LOOPOUT port to daisy chain either HDMI 1 or HDMI 2 input sources. Use the remote control to choose input source on all displays or single display (see **Section 7.0** for remote control use), or use ZD WALL CONTROL software to change input source / layouts on multiple displays in the video wall configuration at once.

The USB Input only works for single display mode, and does not daisy chain to multiple displays.

5.0 INSTALLATION

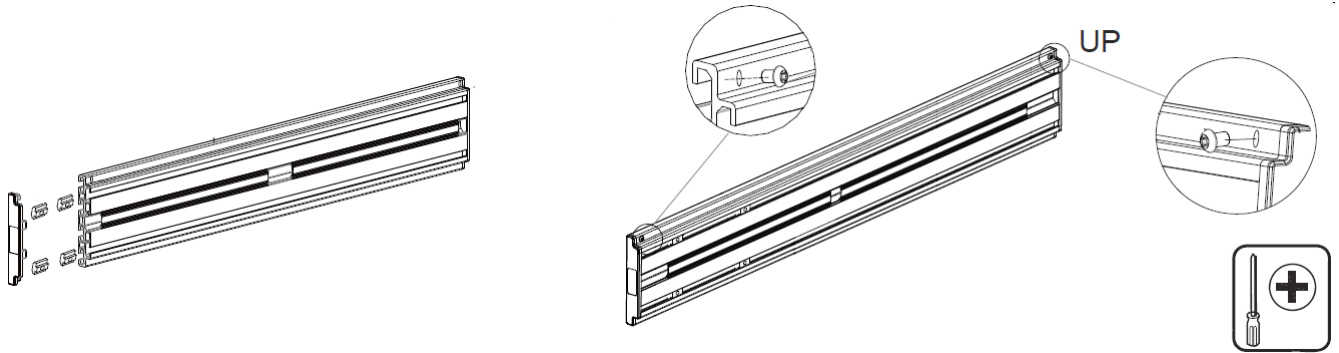
To prevent injury, this apparatus must be securely attached to a floorstand or wall in accordance with the installation instructions.

- *Ensure that a trained installation technician installs the wall mount.*
- *Otherwise, the display may not be secured and fall causing personal injury or property damage.*
- *Make sure to install using specified video wall mounts such as the ZoomDS Pushout Bracket and Hook&Hang mounting systems.*

• 5.1 Installing the mounting rails for Hook&Hang mounting system and ZoomDS Pushout Brackets

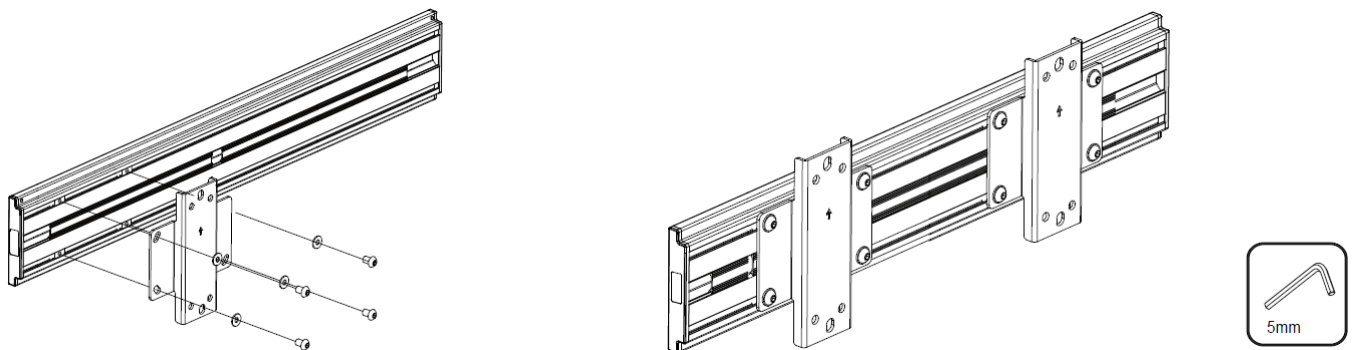
The following steps are directions for mounting rail installation, which are needed to hang the brackets and displays

Step 1



Add eight M8 bolt anchor nuts to the mounting rail to be used for wall mounting plates.

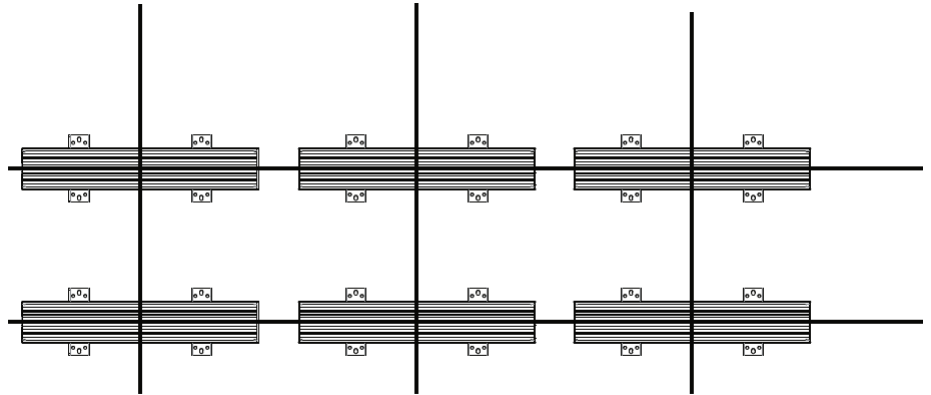
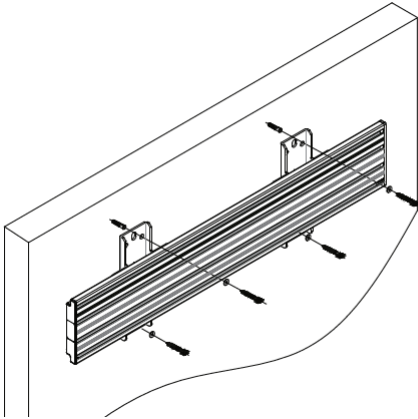
Step 2



Place two wall plates and secure using M8 bolts, 4 per plate.

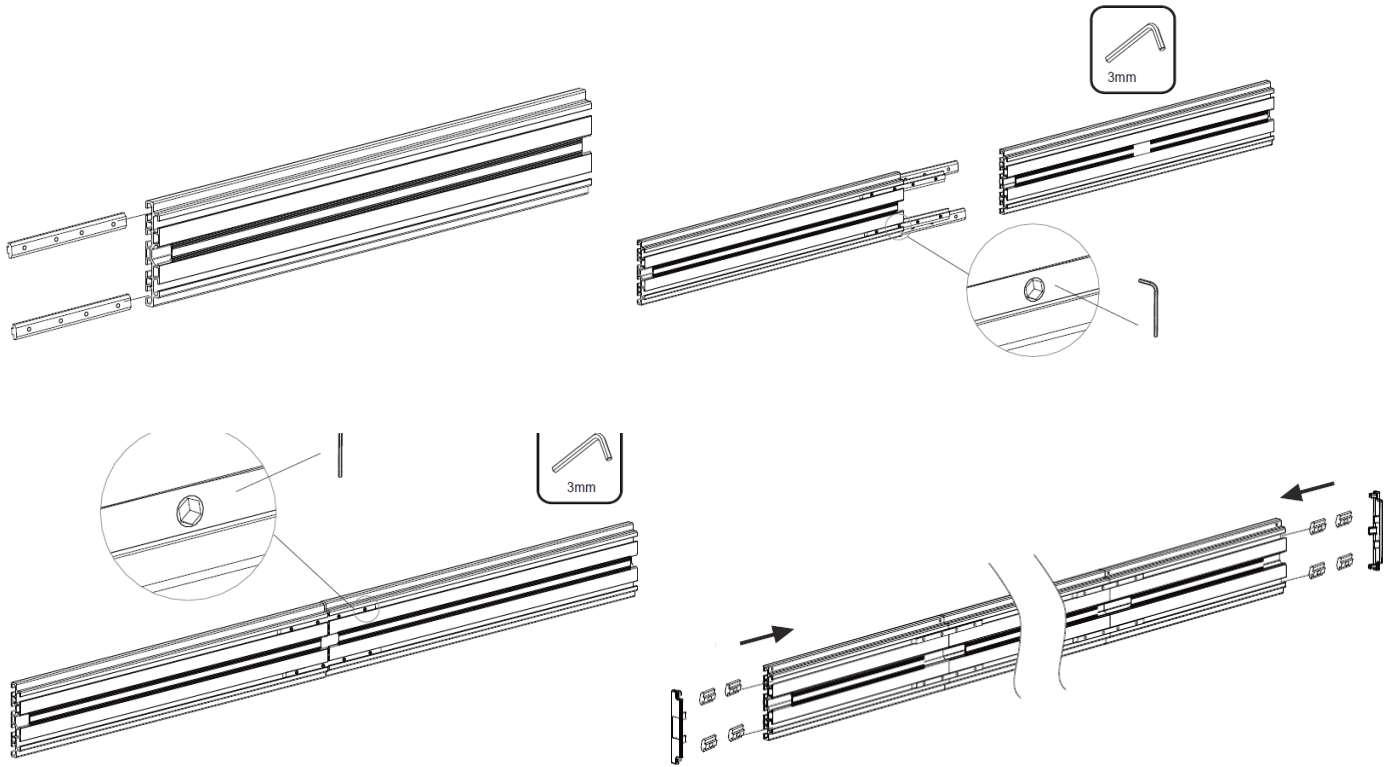
5.0 INSTALLATION

Step 3



Draw lines or use a Laser Level to accurately position the bracket rails and secure to wall. Measure the distance required inbetween displays and secure adjacent rails.

* Alternatively, you may purchase additional mounting rails and connect them to desired length to eliminate the need for horizontal measurements.



5.0 INSTALLATION

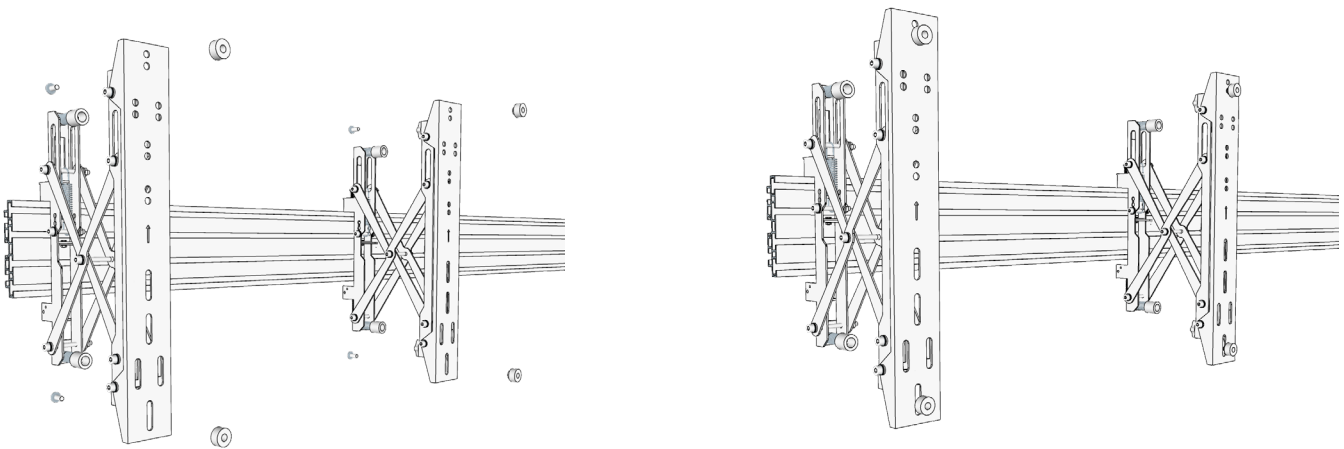
• 5.2 Installing the Video wall using Hook & Hang mounting system

The HH-Series displays come default with the Hook&Hang mounting system's 4 mounting hooks at the 600x400mm VESA position.

Follow Steps 1-3 from **Section 5.1** in setting up the bracket mounting rails.

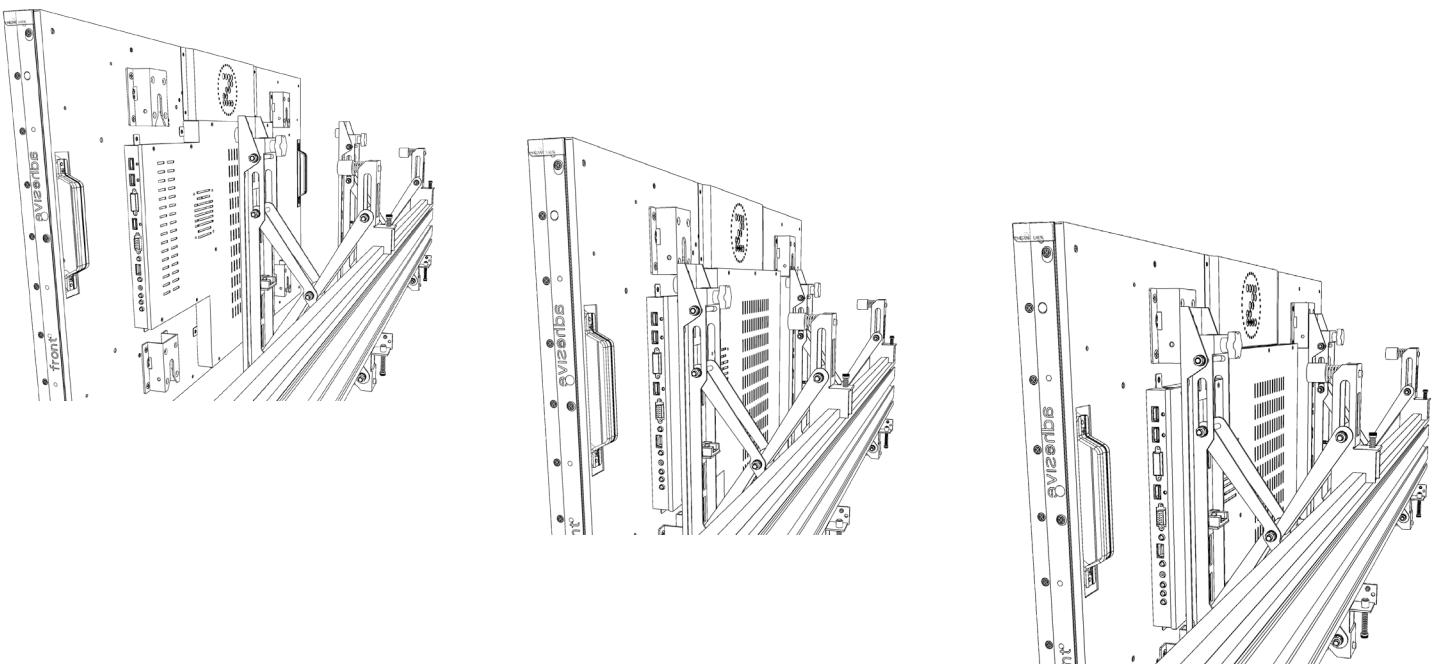
Step 1

Screw in the provided Holder Rings with M8 bolts to the ZoomDS Pushout Video wall bracket or the mounting bracket of choice.



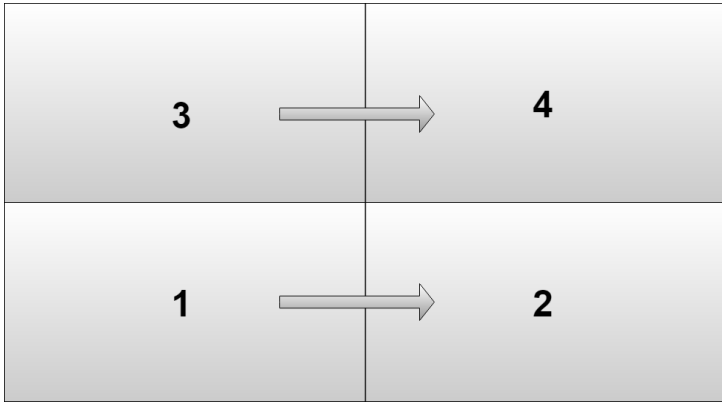
Step 2

Place the brackets onto the mounting rail, spaced apart 600mm. Hook the display to the secured Holder Rings on the brackets to hang.



5.0 INSTALLATION

Step 3

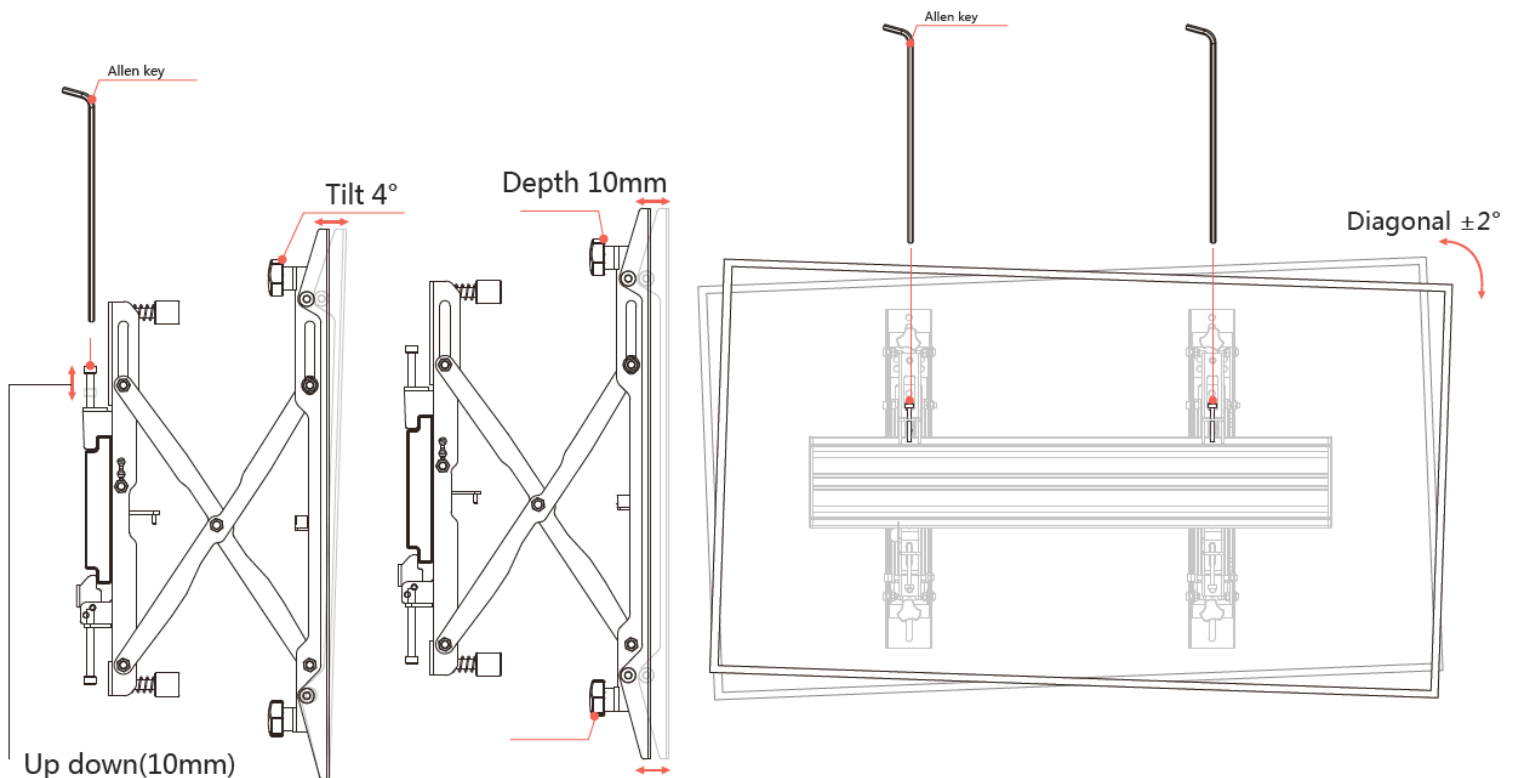


Hang displays starting from the bottom left corner and move to the right.

Follow the next step for display alignment. After aligning the bottom row, proceed to the above rows, starting at the left and proceeding to the display to the right.

Step 4

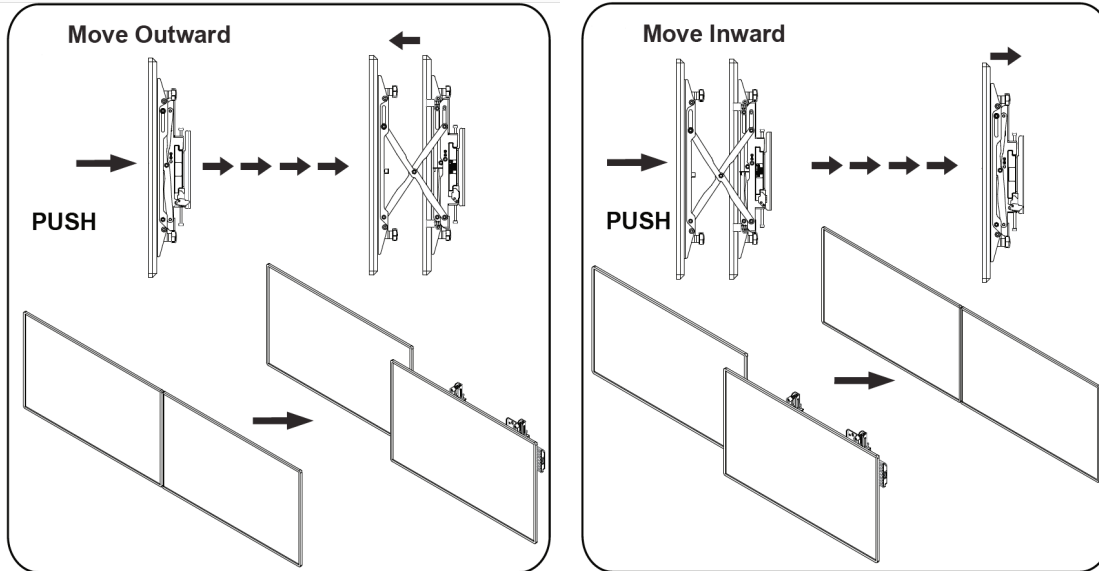
Use the extra long allen key to micro adjust the vertical position of the display on the bracket. It is recommended to lower the bottom row of displays to its lowest position so that the display above will not overlap the bottom and cause damage. Push in the bottom row of displays into their locking positions. Use the dials on the top and bottom of each bracket to micro adjust the distance of the display from the rail. After perfectly aligning the bottom row, proceed to the upper row repeating the process starting from the left most display in the row.



5.0 INSTALLATION

Step 5

Push-out brackets allow displays to be serviced independently. Once aligned, push the displays in and the catching mechanism will lock the display in place. To service the display and move the display outward, gently push the display from the bezels inward, and the catching mechanism will release the display.



- ZoomDS Pushout Video Wall brackets are sold separately.
- For detailed information on installing wall mount brackets, see the instructions provided with the wall mount.
- DO NOT stand display upright or facedown on a hard surface when installing conversion plates or other bracket (HH system eliminates need for placing display down).
- DO NOT apply any pressure onto the LCD panel as it is very fragile.

• 5.3 Alignment of displays and preventing damage

- DO NOT let the display bezels touch; there should be a space of at least 1mm between displays.
- A business card should be able to pass through the bezels.
- The module may expand in high temperature conditions.
- DO NOT tilt the panel down: tilting panel causes light leakage because of the pressure of the upper and lower side of the panel.
- It is recommended you contact a certified technician for assistance when installing the wall mount bracket and displays. ZoomDS is not responsible for any damage to the product or injury to yourself or others if you elect to install the wall mount and displays on your own.

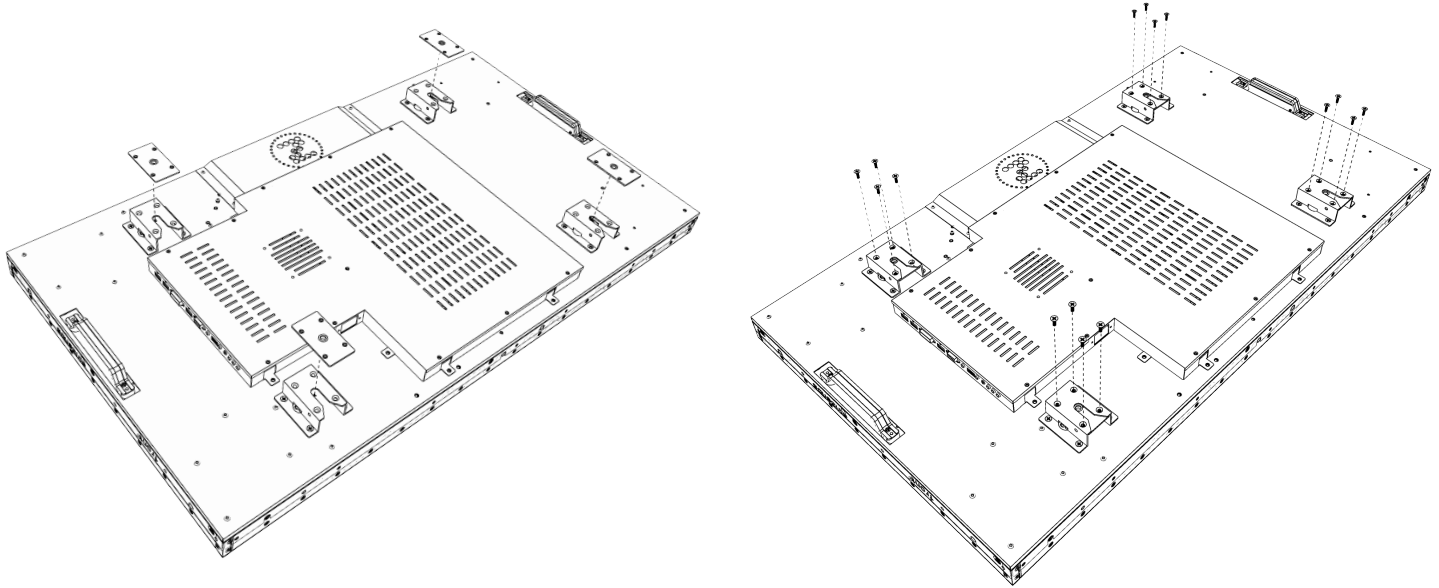


5.0 INSTALLATION

• 5.4 Installing displays using off brand VESA mounting brackets

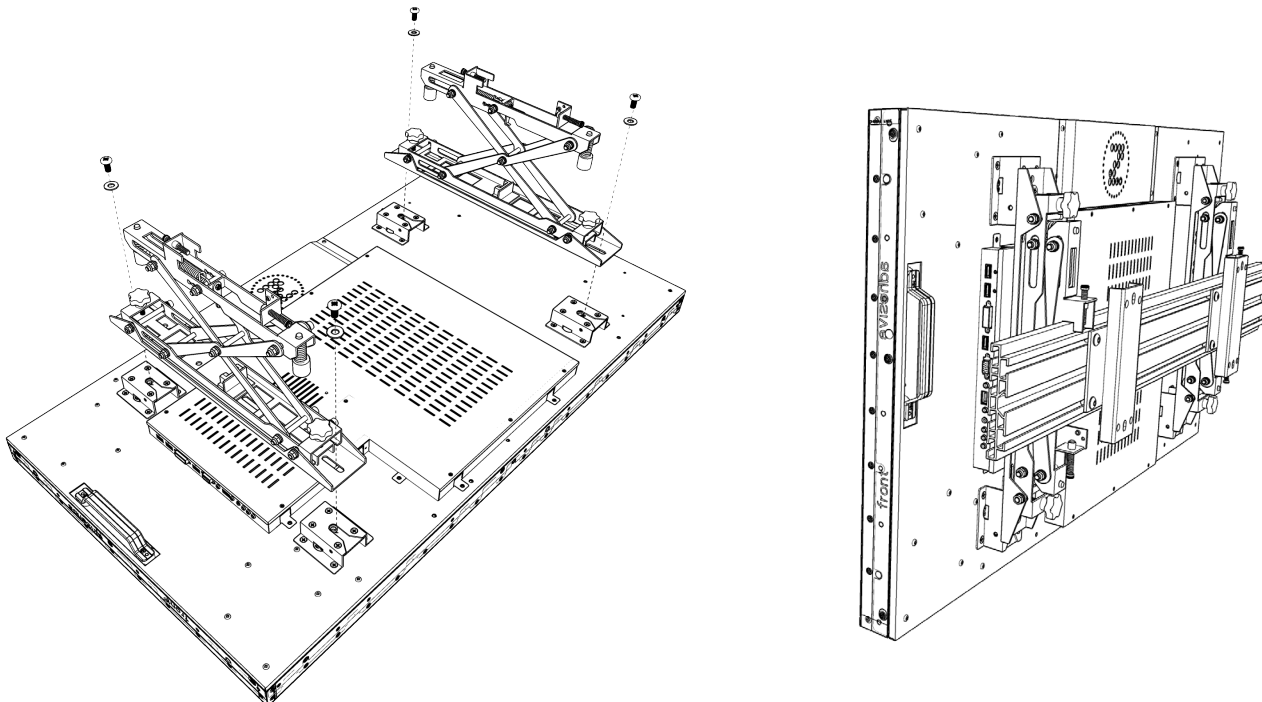
Step 1

Place displays facedown on a soft and even surface and add the 4 VESA plates to each 600x400mm mounting position using M4 bolts. The VESA Plate provides a M8 bolt mounting position for brackets.



Step 2

Place your bracket of choice on the mounting positions and bolt using provided M8 bolts. Hang displays to corresponding rails.



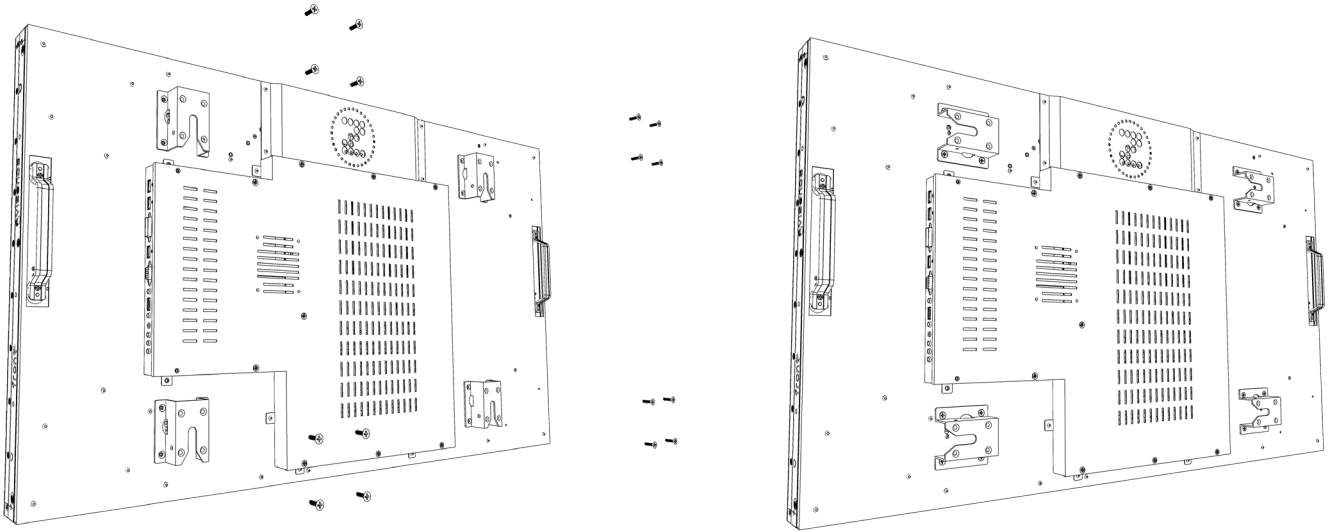
5.0 INSTALLATION

• 5.5 Installing displays in portrait orientation using vertical bar extensions

The HH-Series displays and Hook&Hang mounting system can be implemented for portrait orientation using the Vertical Conversion Bar extension, which can be purchased separately.

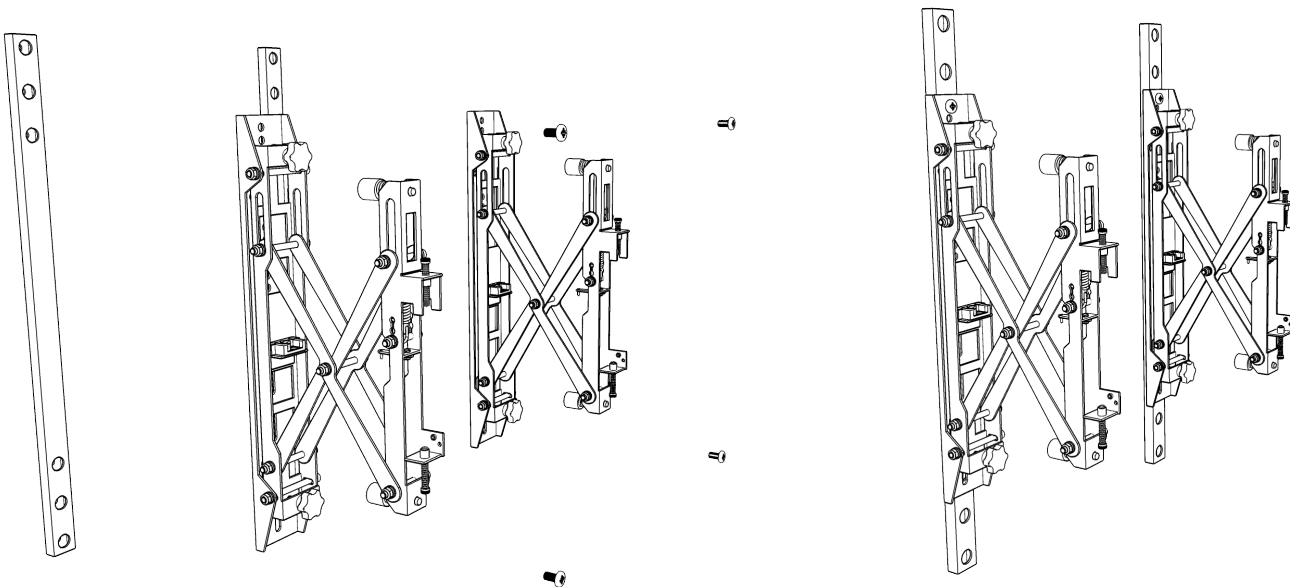
Step 1

Place displays facedown on a soft and even surface and remove the four HH Mounting Hooks. Viewing from the back, the right side of the display will become the top. Rebolt the Mounting Hooks so that the hook is facing down from the new top.



Step 2

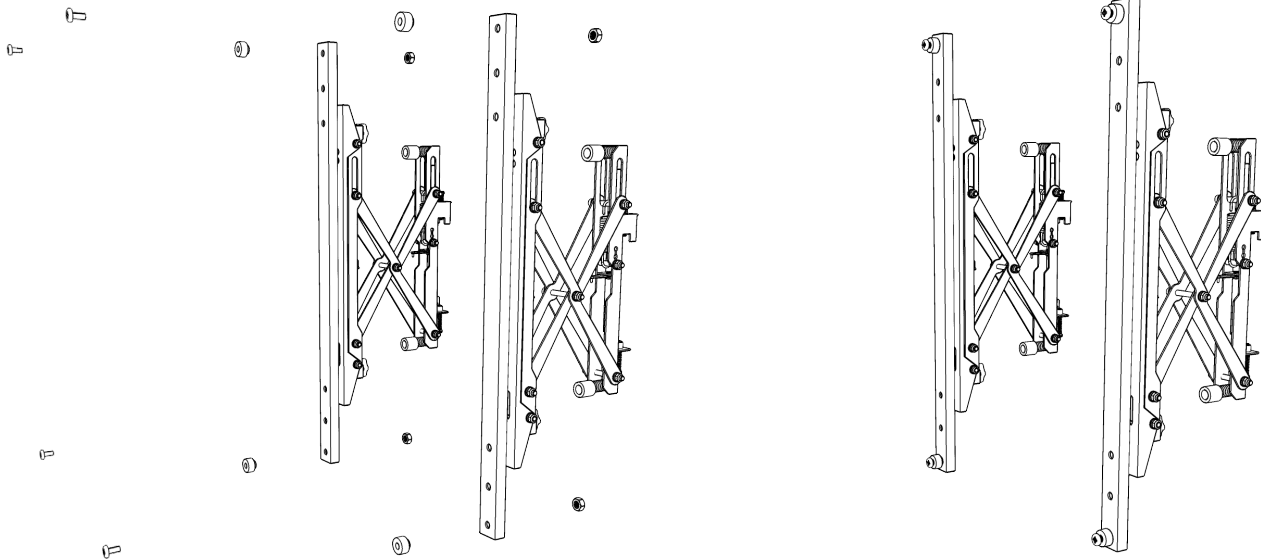
The Vertical Conversion Bar has 3 holes at each end, for 400mm, 500mm and 600mm. The 400mm pair holes have built in threads. Attach the mounting bracket to the 400mm positions using M8 bolts. Make sure the larger sized hole side on the 500mm and 600mm positions is facing the bracket.



5.0 INSTALLATION

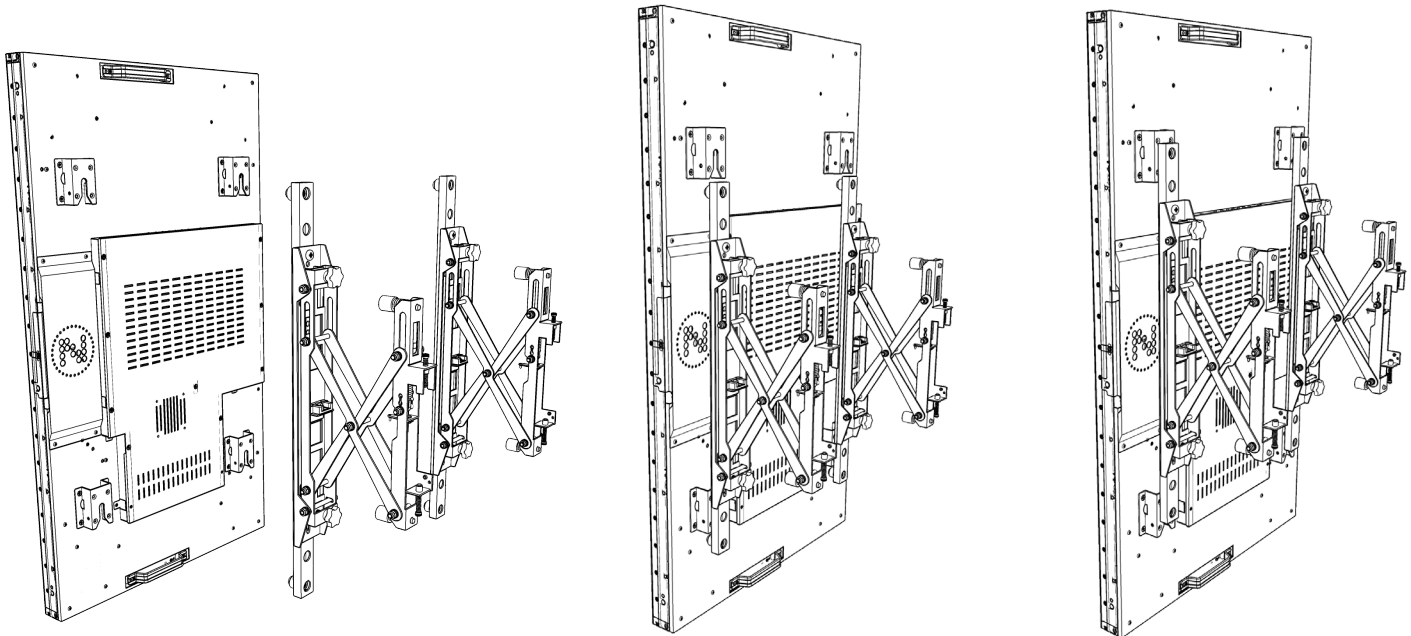
Step 3

Attach the holder rings to the 600mm mounting position using the provided M8 bolt and nut. The nut should go in the larger sized hole on the bracket side.



Step 4

Place the Vertical Conversion Bar attached mounting brackets to the mounting rail, spaced 400mm apart. Hook the display to the holder rings to hang the brackets.



5.0 INSTALLATION

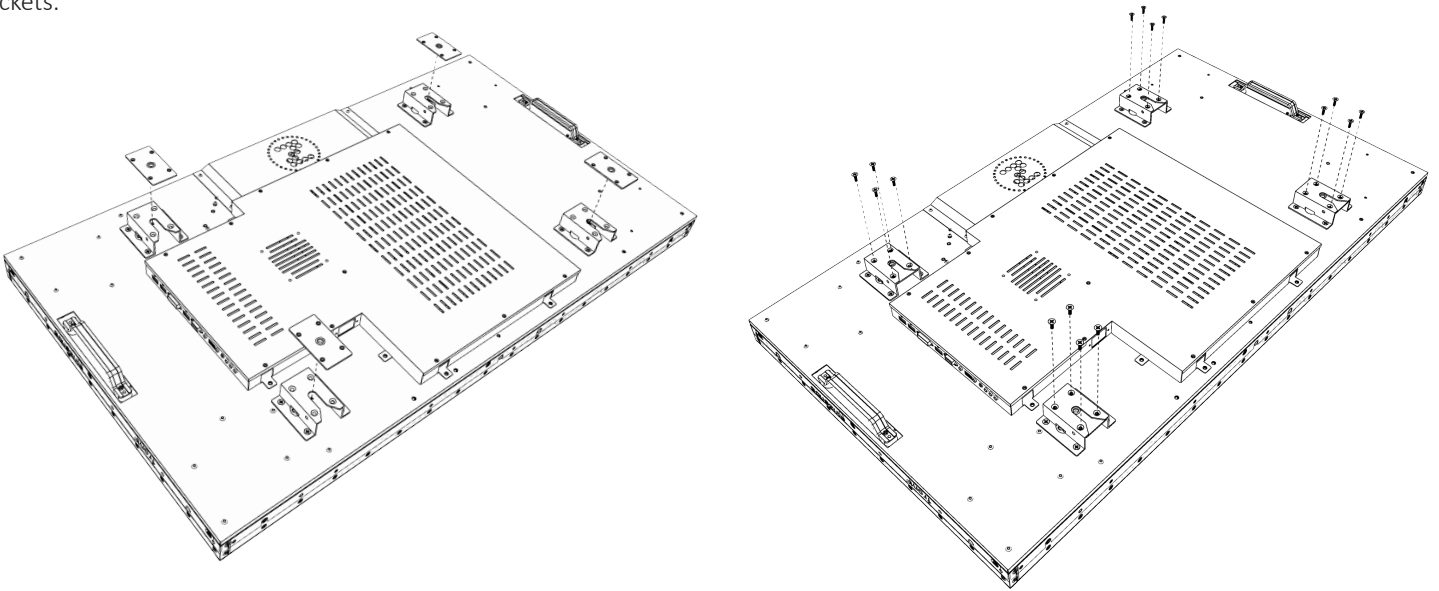
• 5.6 Installing displays in portrait orientation using off brand VESA mounting brackets

Step 1

Follow directions from Steps 1 to 3 in **Section 5.5** to rotate the HH Mounting hooks and to attach the Vertical Conversion Bars to your mounting brackets.

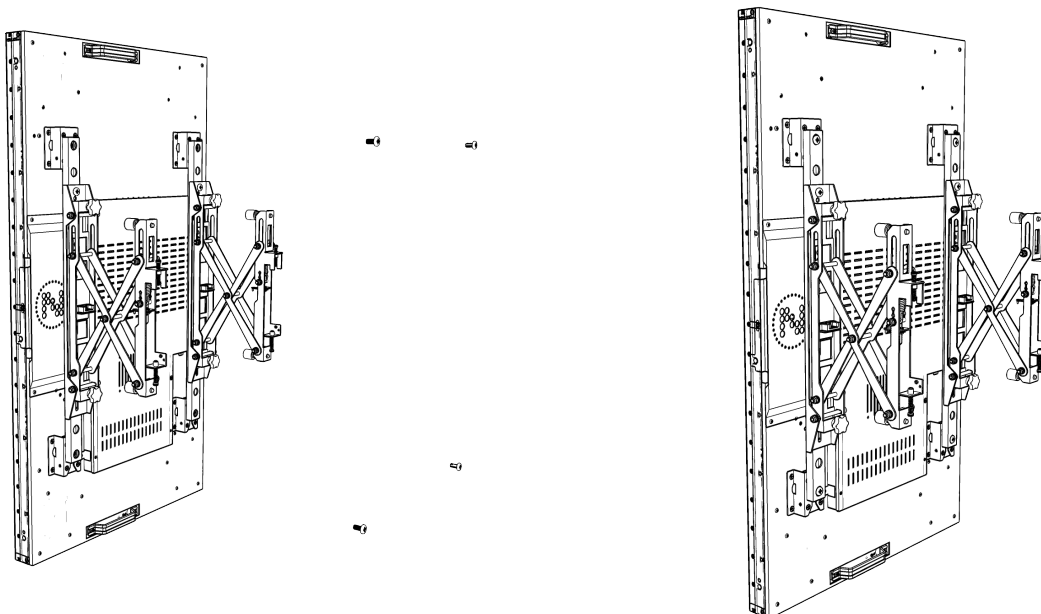
Step 2

Add the 4 VESA plates to each 600x400mm mounting position using M4 bolts. The VESA Plate provides a M8 bolt mounting position for brackets.



Step 3

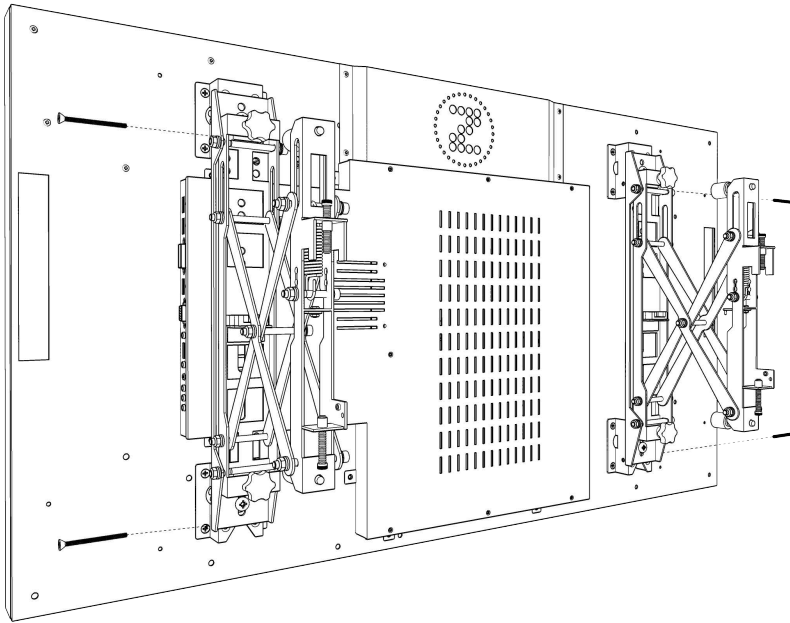
Bolt the Vertical Conversion Bar attached mounting brackets to the 400mm x 600mm VESA plates using M8 bolts.



5.0 INSTALLATION

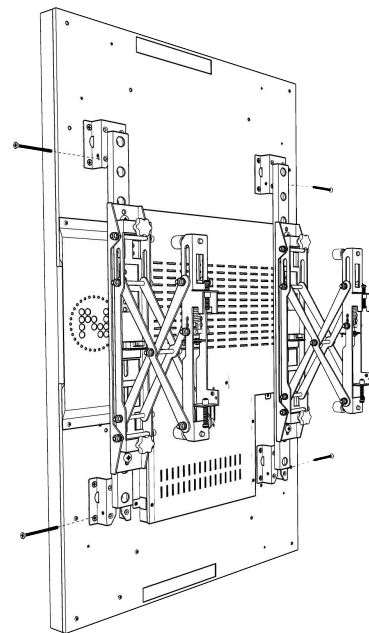
• 5.7 Securing the display and bracket into place with locking bolt

The Hook&Hang mounting system is designed to use gravity to securely hold the display on its mounting bracket. However, you may choose to secure the display further by adding a bolt to the bottom of the Mounting Hook above the Holder Ring.



Above: Adding locking bolt to landscape orientation installation

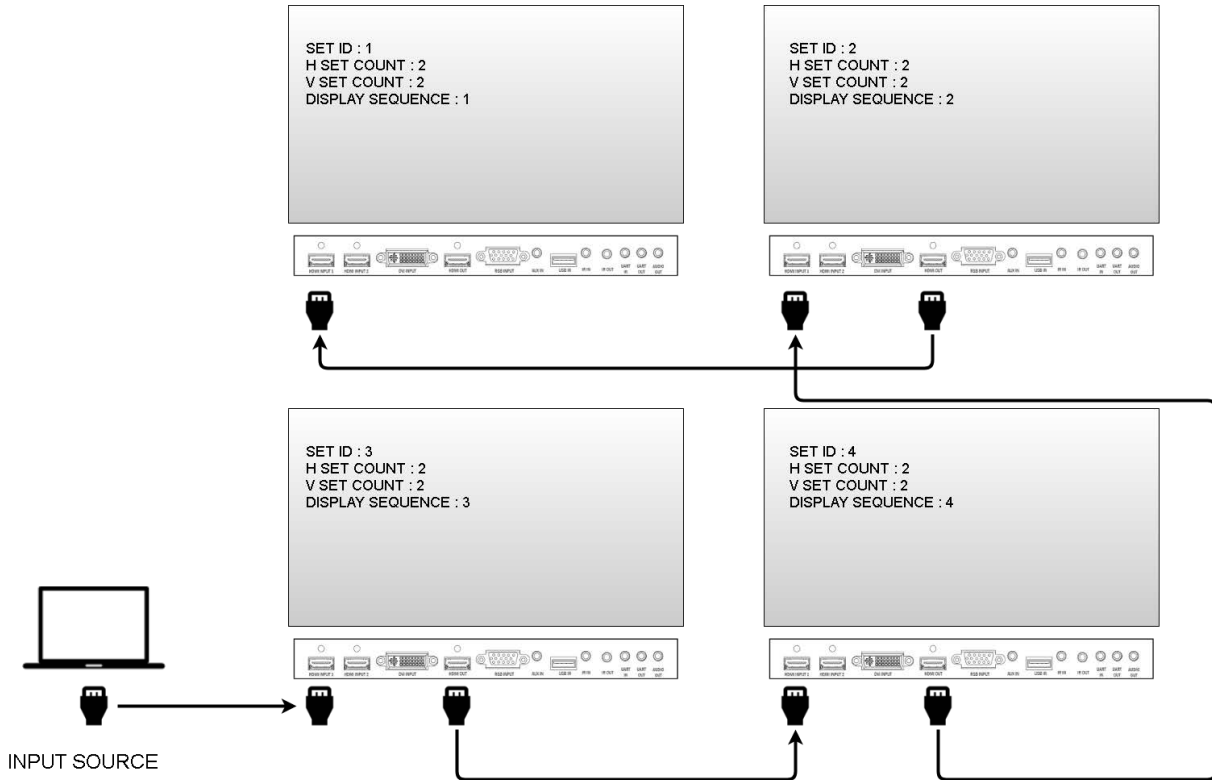
Right: Adding locking bolt to portrait orientation installation



5.0 INSTALLATION

• 5.8 CABLING & SETTINGS CONFIGURATION - 4K INPUT DAISY CHAIN

The HH-Series displays have built in 4K Input Daisy Chain capabilities, meaning that the entire video wall (or a section of a large configuration) can receive a 4K feed from a single 4K input source. Note that 4K Daisy Chain will scale the input source across the video wall to display in 3840x2160 resolution. Therefore, it is recommended to keep aspect ratio at 16:9 (ie: 2x2, 3x3 or 4x4 video wall config.).



- **Step 1:** Connect your Input source (up to 4K@60HZ) to HDMI INPUT 1 on your first display.
- **Step 2:** Connect a second cable to HDMI OUT on the first display. Connect the other end to HDMI INPUT 1 on the next display.
- **Step 3:** Repeat steps of connecting HDMI cables from HDMI IN to OUT in the next display of the video wall configuration.
- The final display in the configuration does not need a cable for HDMI OUT.
- You may alternatively use HDMI INPUT 2 on the displays for the daisy chain. It is recommended to keep consistency on the input source to prevent confusion, especially if you plan to connect the displays to multiple sources.
- **Step 4:** Use the remote control to access the OSD menu and go to the MULTI FUNCTION section. Set the desired values for EACH display depending on your configuration.



H Set Count - number of displays per row in the video wall configuration.

V Set Count - number of displays per column in the video wall configuration.

Display Sequence - number of the display in the sequence of the video wall configuration. Works from top left to the right going down. This lets the display know which part of the whole video signal to show.

H Edge Adj - allows the contents to be shifted horizontally (by pixel)

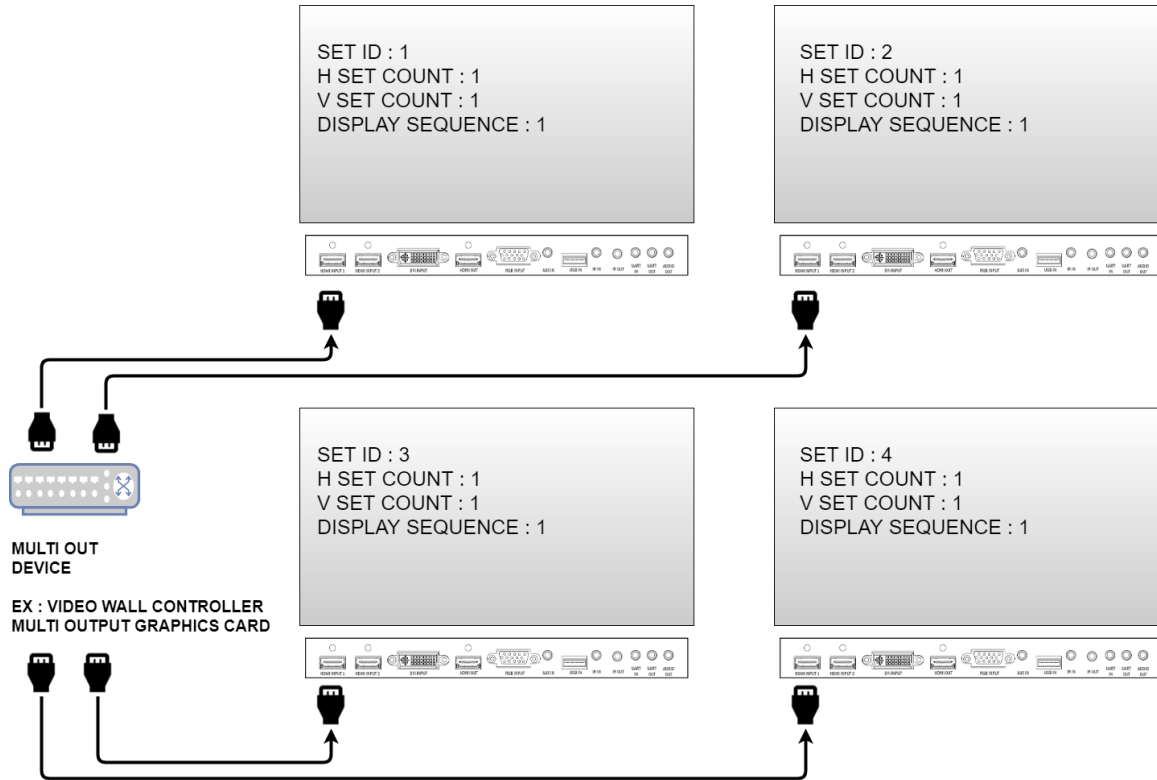
V Edge Adj - allows the contents to be shifted vertically (by pixel)

SET ID - designate the display's ID number. The ZD WALL CONTROL software and remote control identifies the specific display by SET ID.

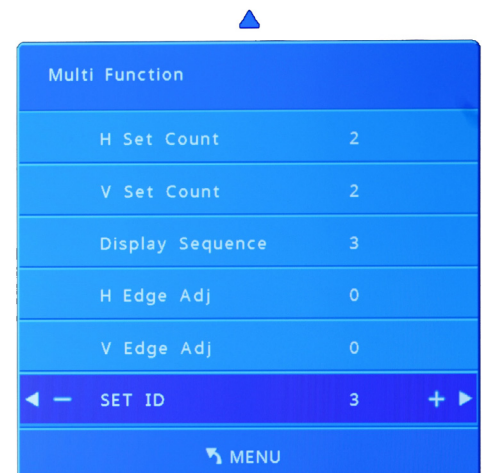
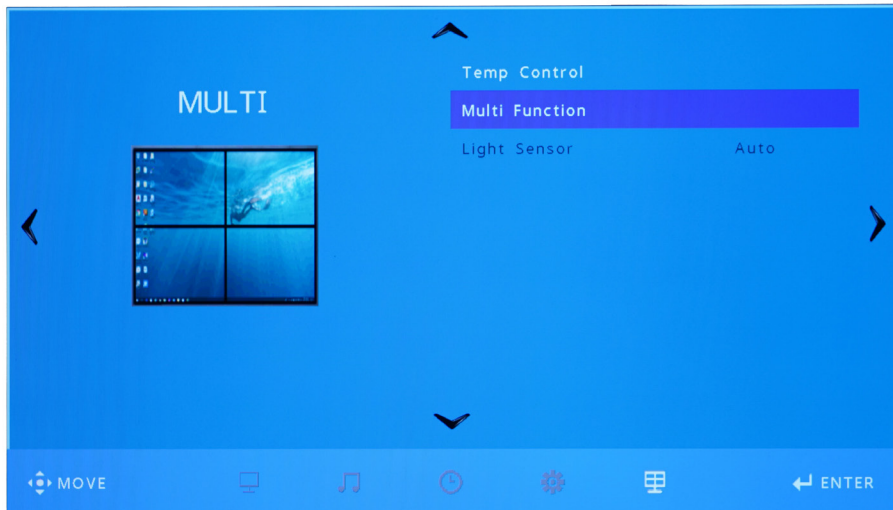
5.0 INSTALLATION

5.9 CABLING & SETTINGS CONFIGURATION - DIRECT CONNECTION TO SOURCE

The HH-Series displays as multiple sources than can be connected direct to a variety of input sources. Whether it be to a multi-output graphics card, signal splitter, input switch or a video wall processor, follow the diagram below for cabling method.



- **Step 1:** Connect each display with a video cable direct to its input source.
- **Step 2:** Use the remote control to access the OSD menu and go to the MULTI FUNCTION section. Designate the H Set Count, V Set Count, and Display Sequence all to 1.
- **Step 3:** Designate the display's SET ID number. The ZD WALL CONTROL software and remote control identifies the specific display by SET ID. It is recommended to number the displays' SET ID starting with the upper left most display as 1, and increasing value to the displays to the right and lower displays.



5.0 INSTALLATION

• 5.10 CABLING - DAISY CHAINING IR CABLE (FOR REMOTE CONTROL)

- The HH-Series displays can be controlled by a single remote control for all the displays within a video wall configuration. Each display should have a designated SET ID number (can be changed under Multi Function in OSD settings). This SET ID number can be considered to be the display's name, as it is how the remote control and ZD WALL CONTROL software will know which display to send the command to.

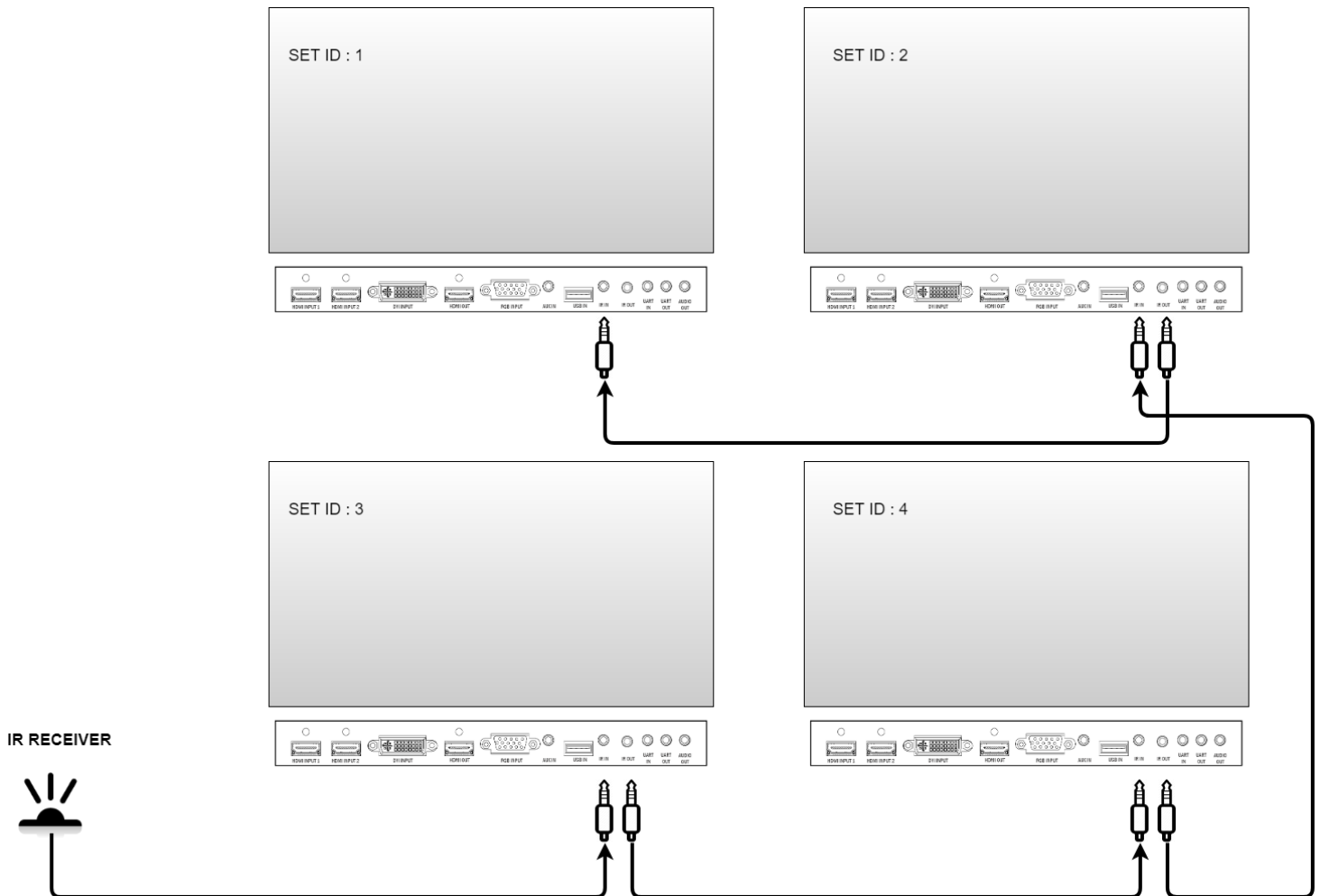
- Each display has an IR receiver in the back to register commands from the remote control. It has a short range, so the HH-Series displays allows an external IR Receiver (1 included per video wall system set) that can be daisy chained through each display.

STEP 1 - Connect the IR Receiver to IR IN 3.5mm jack to the first display of the daisy chain. Place IR Receiver where remote control will be used. Make sure IR path from remote to receiver is unobstructed for best results.

STEP 2 - Connect a 3.5mm aux cable to IR OUT of the first display.

STEP 3 - Connect from IR OUT of the first display to IR IN of the second display.

STEP 4 - Repeat process of connecting cables from IR OUT to IR IN. The final display in the daisy chain does not need a cable in IR OUT.



When using the Remote Control with the IR Daisy Chain, commands will be sent to all the displays. In order to send commands to a specific display, click MENU-EXIT-MUTE- then SET ID number of desired display.

5.0 INSTALLATION

• 5.11 CABLING - DAISY CHAINING UART SERIAL PROTOCOL CABLE (FOR CONTROL WITH ZD WALL CONTROL)

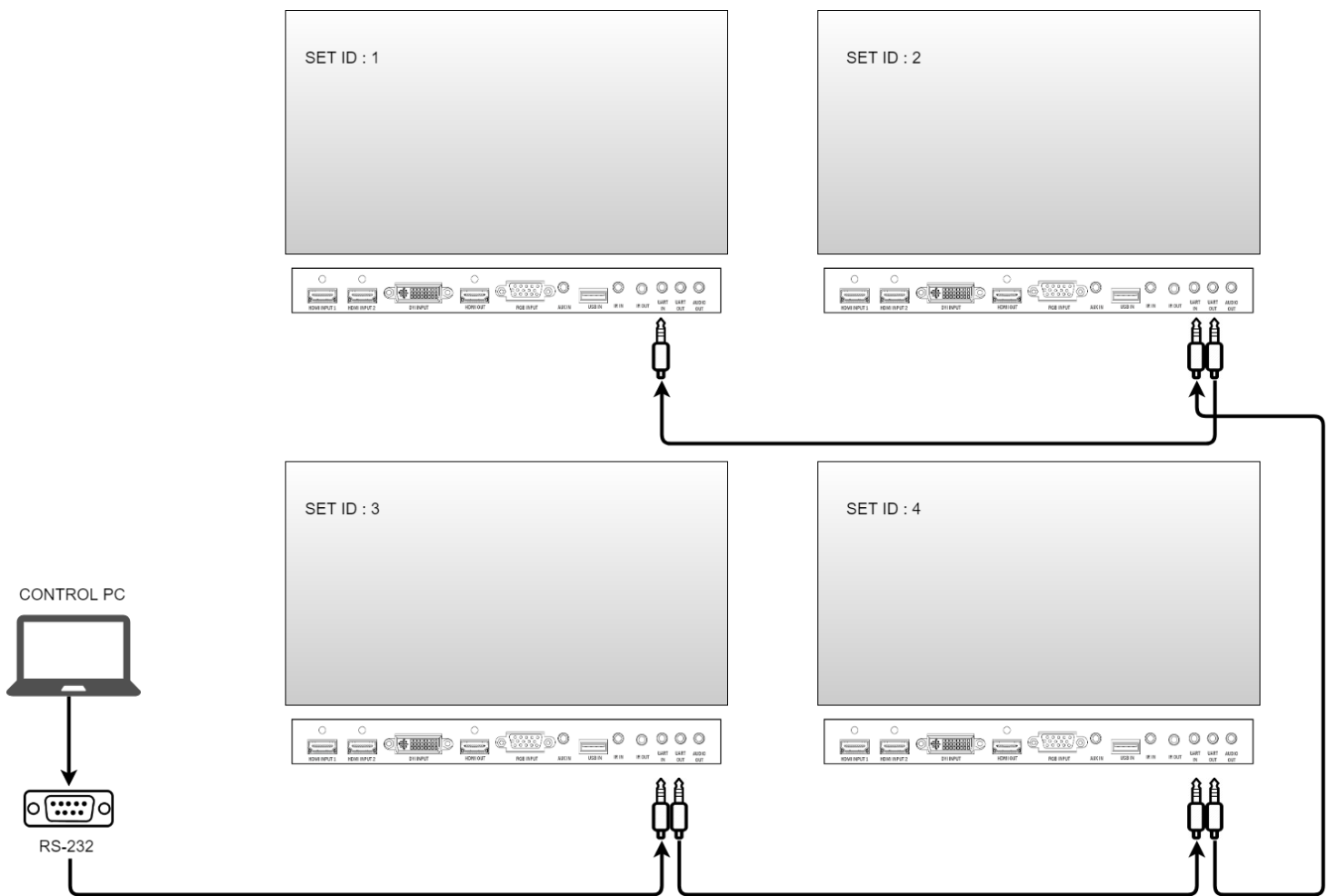
- The HH-Series displays can be controlled by ZD WALL CONTROL software for all the displays within a video wall configuration. Each display should have a designated SET ID number (can be changed under Multi Function in OSD settings). This SET ID number can be considered to be the display's name, as it is how the remote control and ZD WALL CONTROL software will know which display to send the command to.
- Information is sent/received via RS-232 and UART protocol AUX 3.5mm jack

STEP 1 - Connect the RS-232 to AUX cable in UART IN 3.5mm jack to the first display of the daisy chain.

STEP 2 - Connect a 3.5mm aux cable to UART OUT of the first display.

STEP 3 - Connect from UART OUT of the first display to UART IN of the second display.

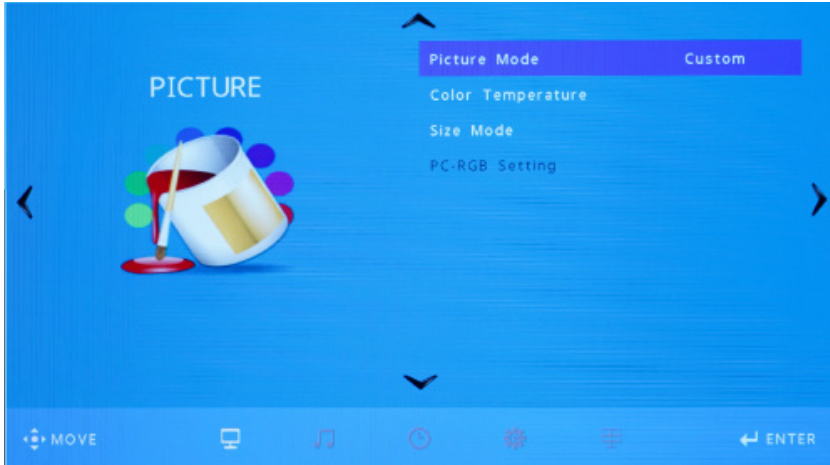
STEP 4 - Repeat process of connecting cables from UART OUT to UART IN. The final display in the daisy chain does not need a cable in UART OUT.



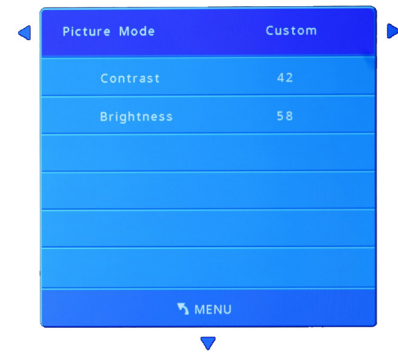
Please refer to section 8.0 of this manual for more details on ZD WALL CONTROL software.

6.0 OSD (On Screen Display)

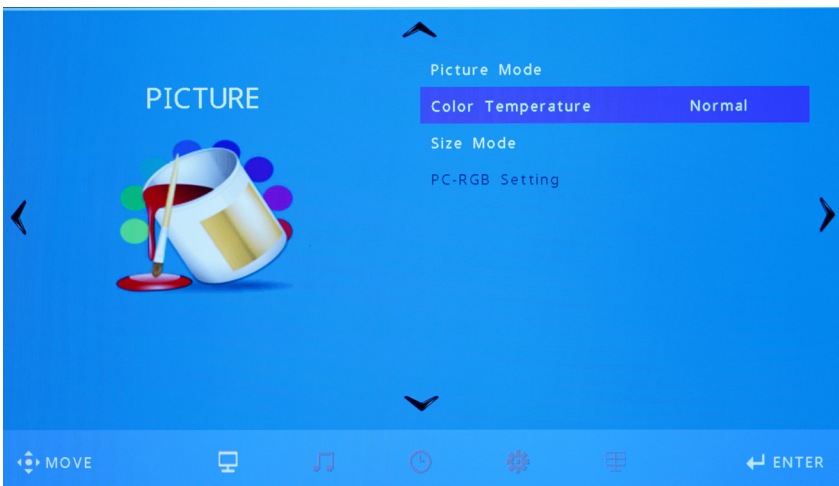
6.1 Picture mode



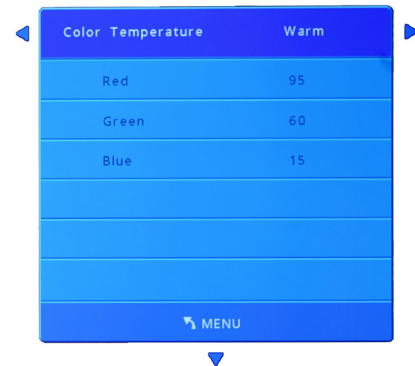
Picture mode allows user to adjust the Contrast and Brightness of the display. Can choose from presets or custom values



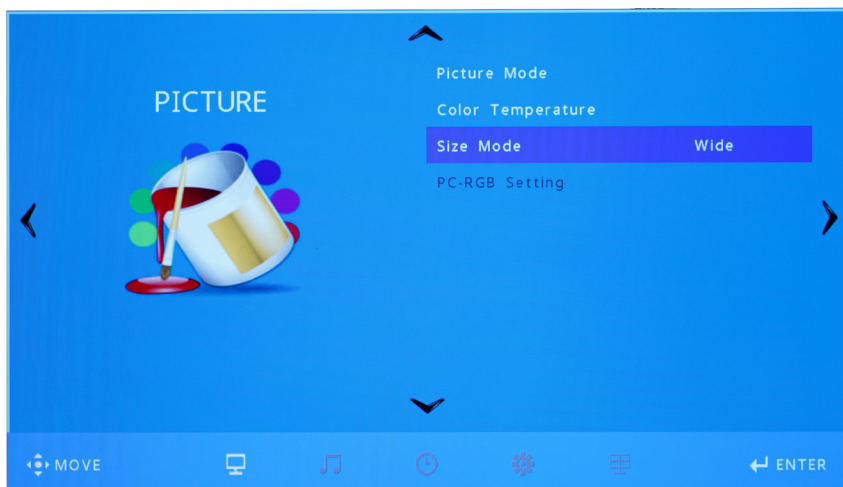
6.2 Color Temperature



Color Temperature allows user to adjust the RGB values or presets (warm, cool, normal).



6.3 Size Mode



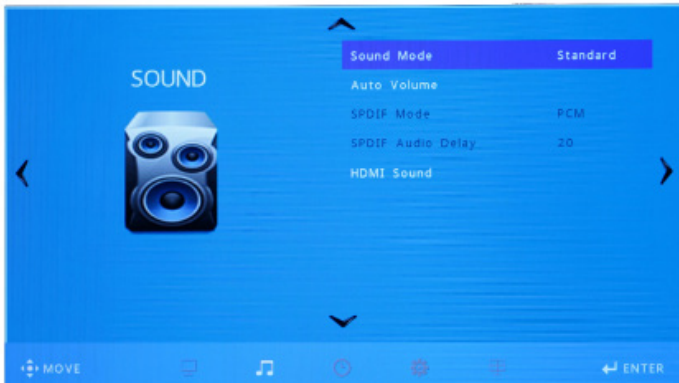
Size mode allows user to choose between Wide (Cinema), 4:3, or 16:9 aspect ratios.



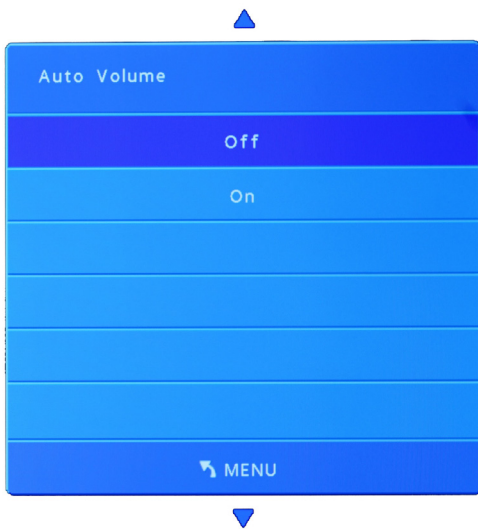
6.0 OSD (On Screen Display)

6.4 Sound Mode

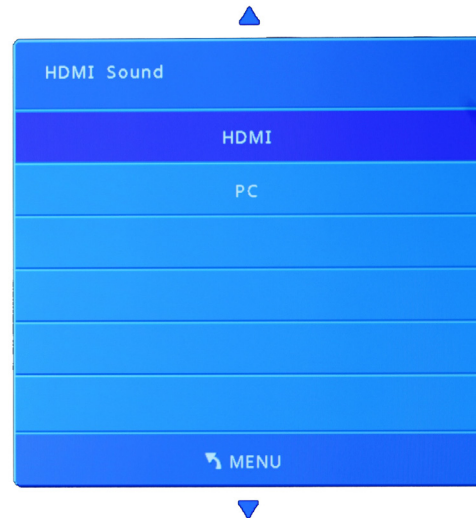
Sound mode allows user to adjust the Hz levels from presets (Standard, Sports, Movie, Music) or custom values.



6.5 Auto Volume



6.6 HDMI Sound

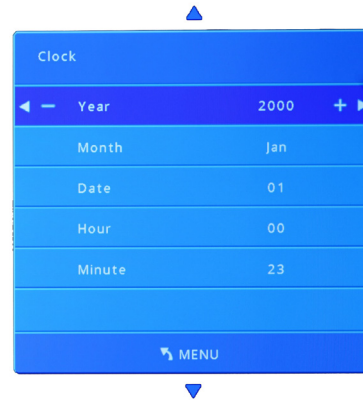
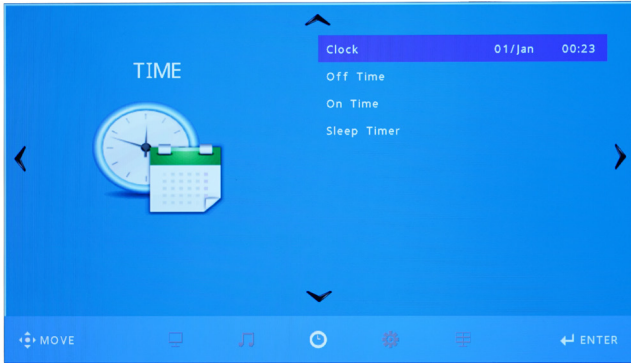


Please note that Auto Volume and HDMI Sound are disabled in the HH-Series video wall series as the HH-Series displays do not come default with built-in speakers. It is recommended to use external speakers connected directly to your playback device or audio receiver for the best experience.

6.0 OSD (On Screen Display)

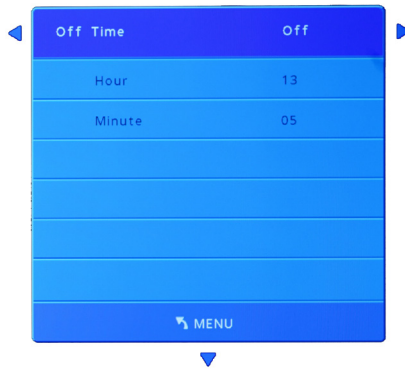
6.7 Internal Clock

Set internal clock for schedule timers



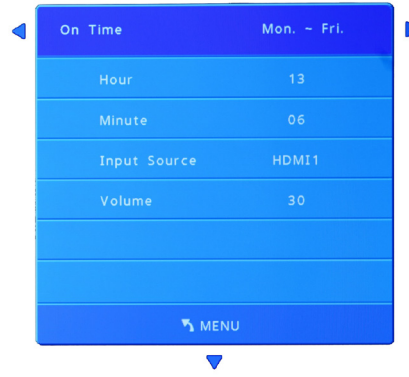
6.8 OFF Time

Schedule display off time



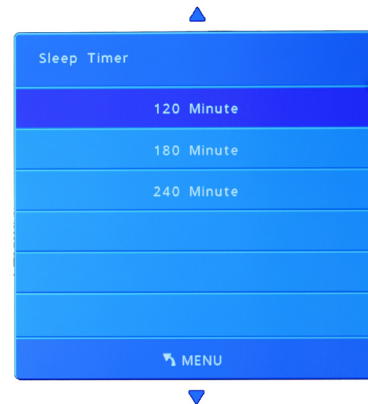
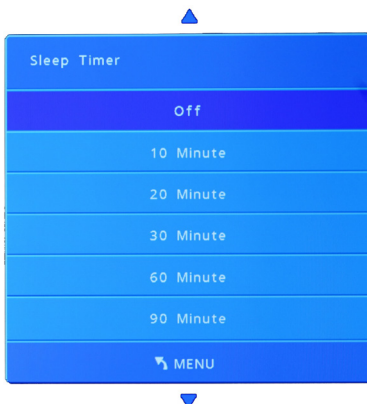
6.9 ON Time

Schedule display on time with input source choice



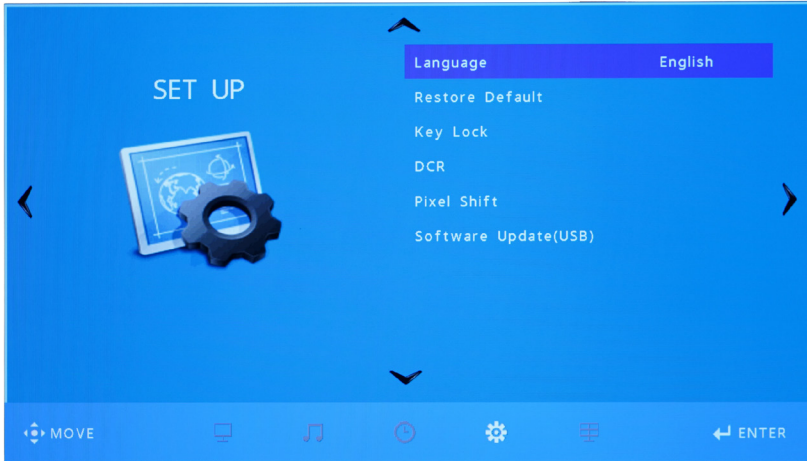
6.10 Sleep Timer

Schedule the display to go to standby mode after 10 to 240 minutes.

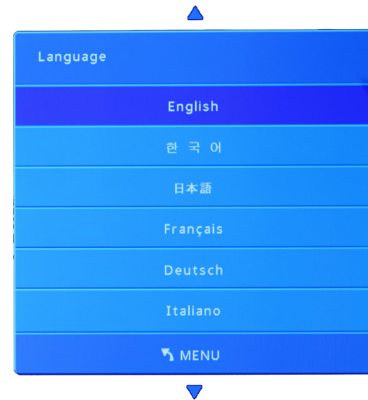


6.0 OSD (On Screen Display)

6.11 Language



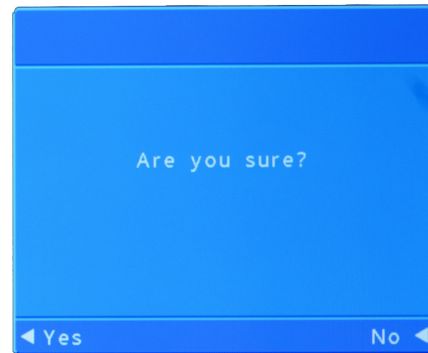
Choose between 11 different languages.



6.12 Restore Default



Restore default settings of display.



6.13 Key Lock -----

This feature is disabled in the HH-Series.

6.14 DCR -----

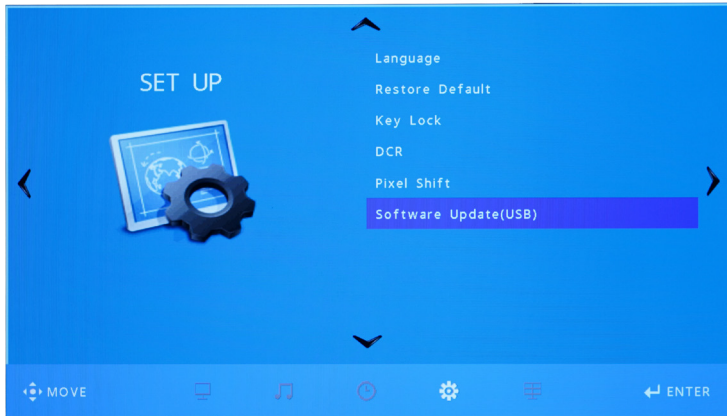
This feature is disabled in the HH-Series.

6.15 Pixel Shift -----

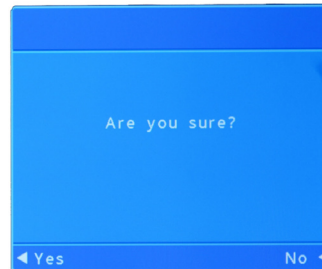
This feature is disabled in the HH-Series.

6.0 OSD (On Screen Display)

6.16 Software Update(USB)

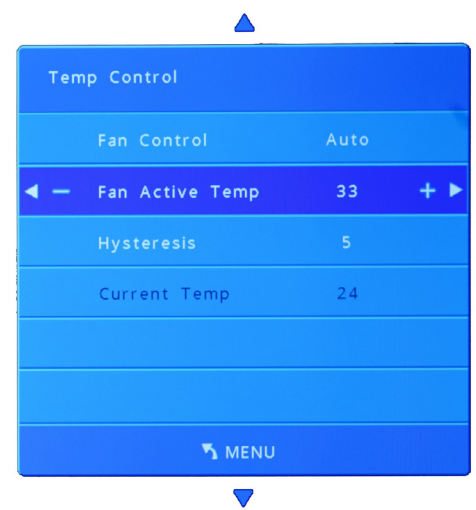
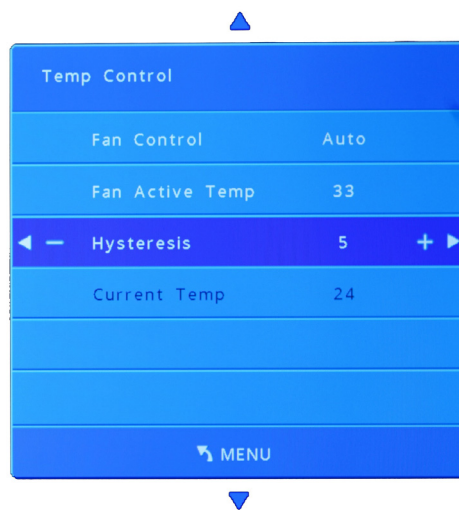
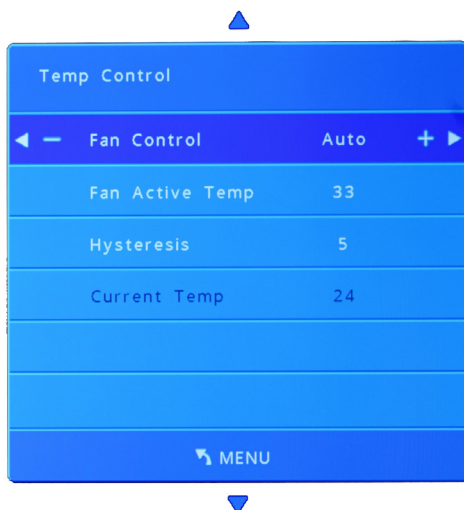
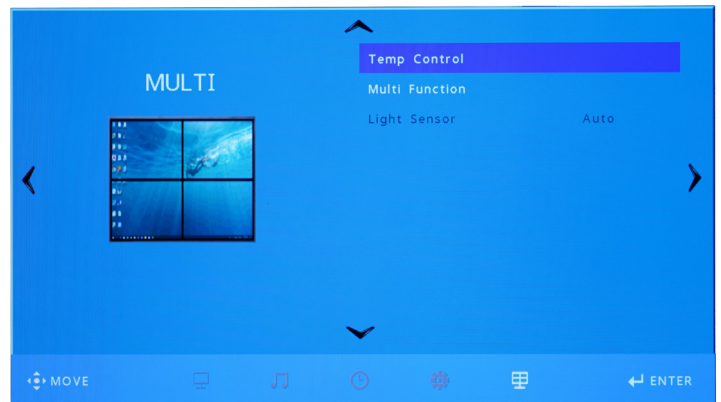


Software firmware updates can be made by downloading to a USB Drive. Insert the USB with the new firmware file. Select YES to continue with firmware update.



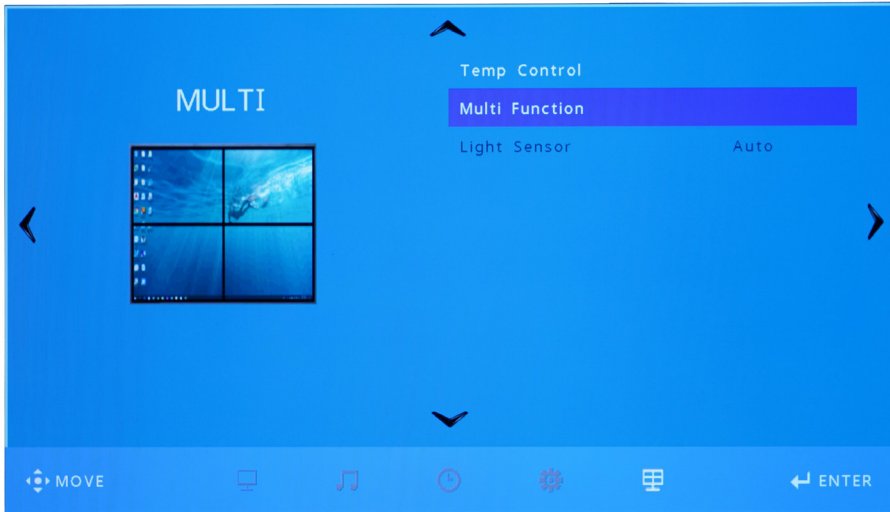
6.17 Temperature Control

Temp Control allows user to setup when the built in fan will operate. If the Fan Active Temp is set to 33 degrees (celcius), the fan will activate when the display reaches that temperature. Hysteresis is the temperature margin the fan will follow- this prevents the fan from turning on and off when the temperature fluctuates 1 or 2 degrees.



6.0 OSD (On Screen Display)

6.18 Multi Function



Multi Function is where users can access video wall settings.

If each display in the video wall has a dedicated input (ie: multi-output graphics card or controller), designate H Set Count, V Set Count, and Display Sequence all to 1.

If 4K Daisy chaining the displays to a single input, see below for Video wall mode directions



H Set Count - number of displays per row in the video wall configuration

V Set Count - number of displays per column in the video wall configuration

Display Sequence - number of the display in the sequence of the video wall configuration. Works from top left to the right bottom. This lets the displays know which part of the whole video signal to send to the specific display.

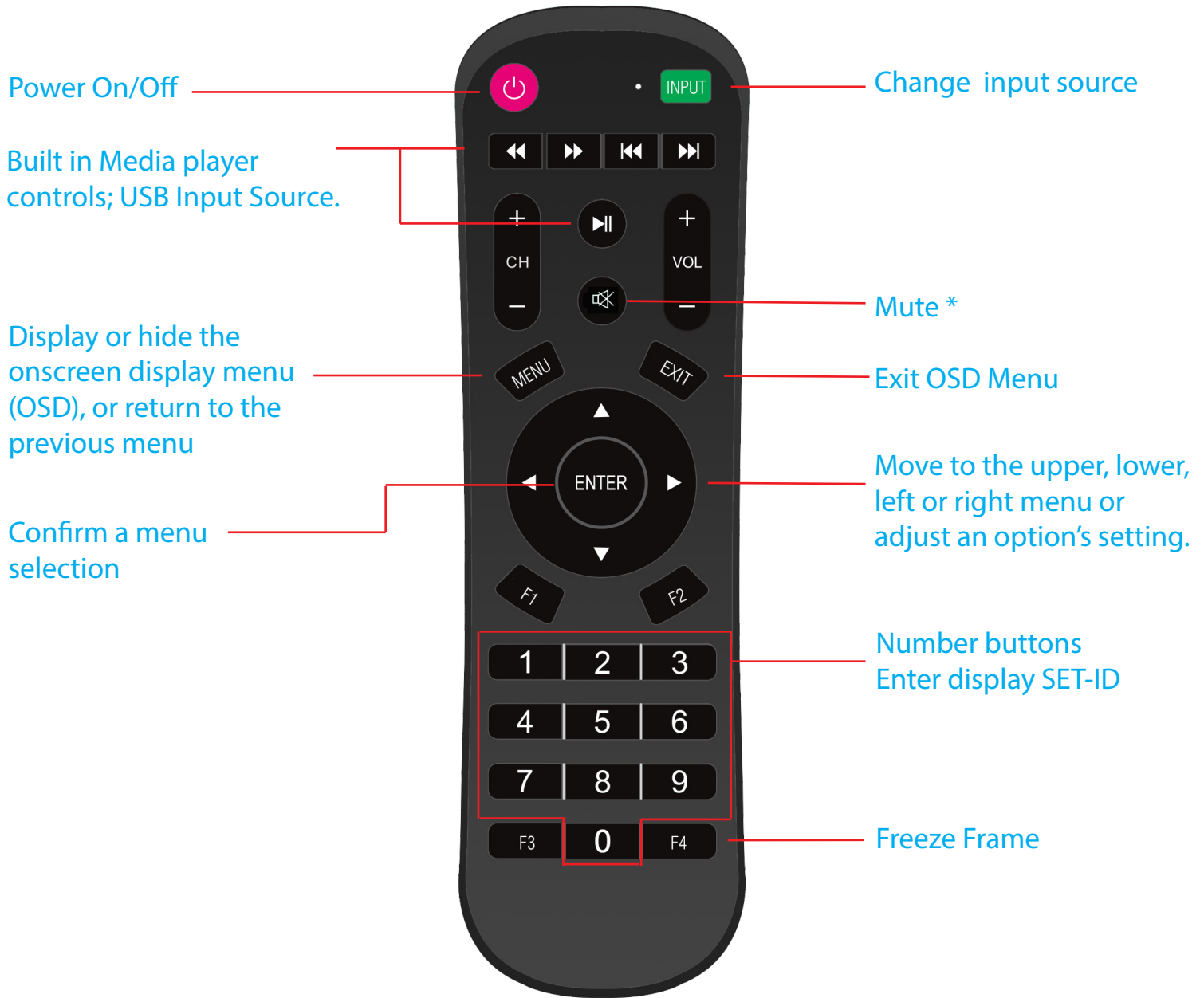
H Edge Adj - allows the contents to be shifted horizontally (by pixel)

V Edge Adj - allows the contents to be shifted vertically (by pixel)

SET ID - designate the display's ID number. The ZD WALL CONTROL software and remote control identifies the specific display by SET ID.

Note: Video signal strength diminishes after passing through each display. For larger video wall configurations, signal amplifying devices are recommended.

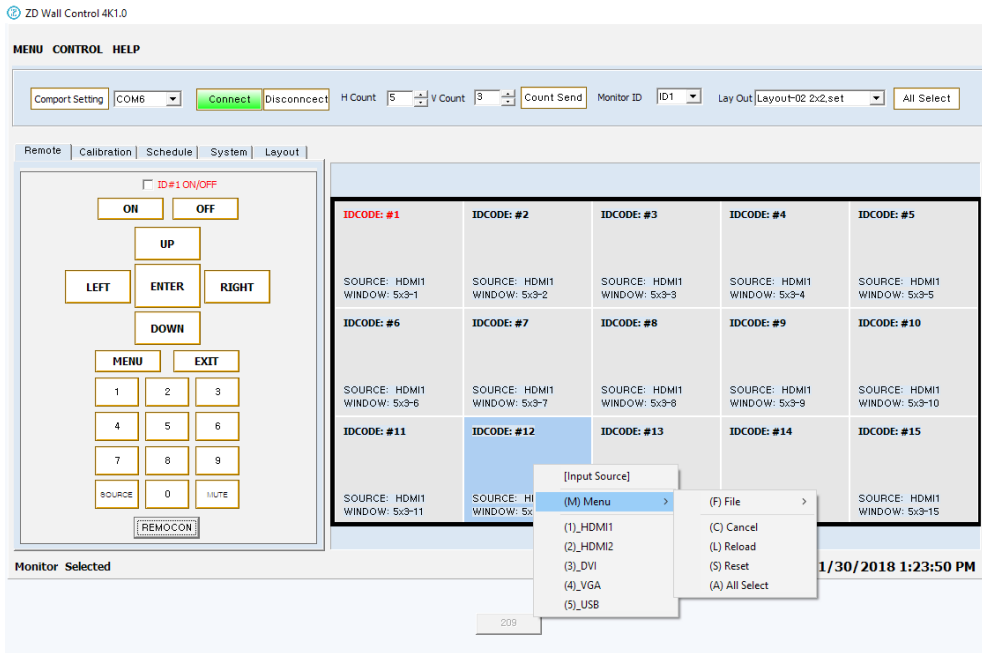
7.0 Remote Control



* To control a specific display, press MENU-EXIT-MUTE-01 up to 99. Display number is configured as SET-ID at MULTI FUNCTION sub menu on OSD.

Indisclosed buttons such as F1 and F2 do not have programs functioned, but are left available for future updates.

8.0 ZD Wall Control - Software (sold separately)

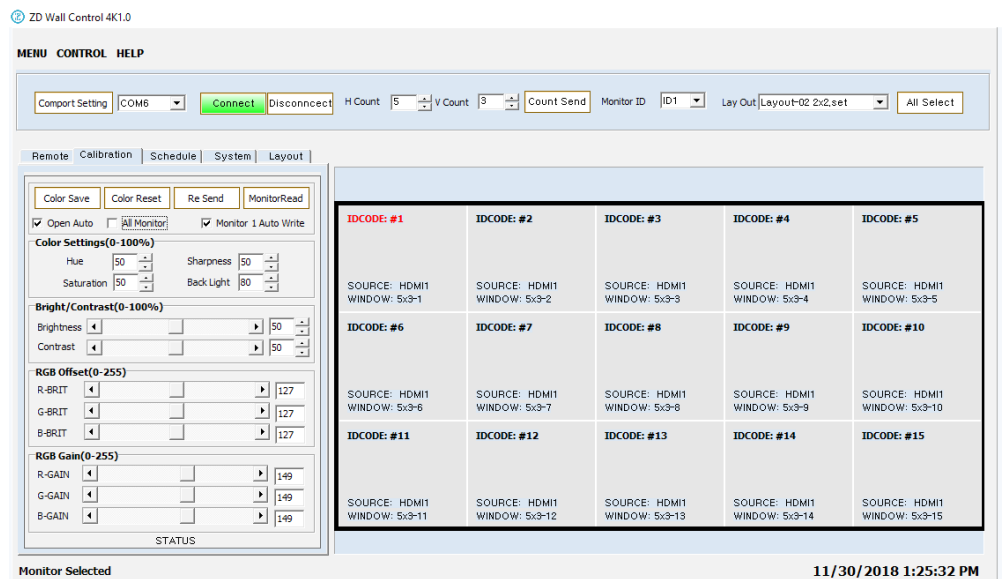


The ZD WALL CONTROL software allows users to control video wall settings, calibration, layouts, and scheduling via RS-232 Protocol (UART Port). Most of the functions can be managed with the remote control provided, but the software allows more control.

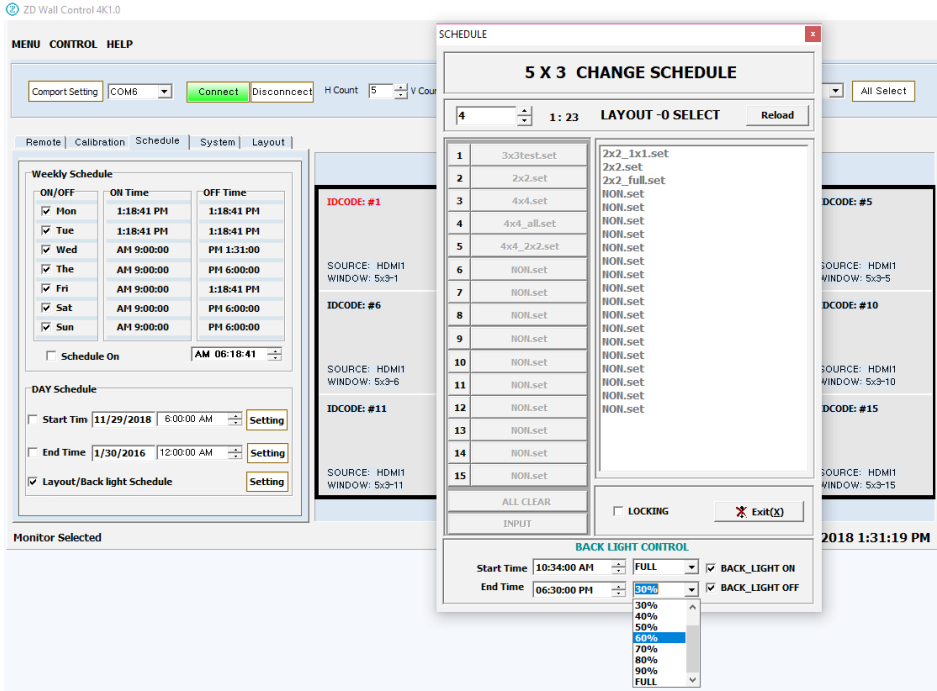
Video wall configuration setup, input source, and layout choice can be chosen from any tab.

* Display Set-ID, must be done directly on the display OSD using remote control.

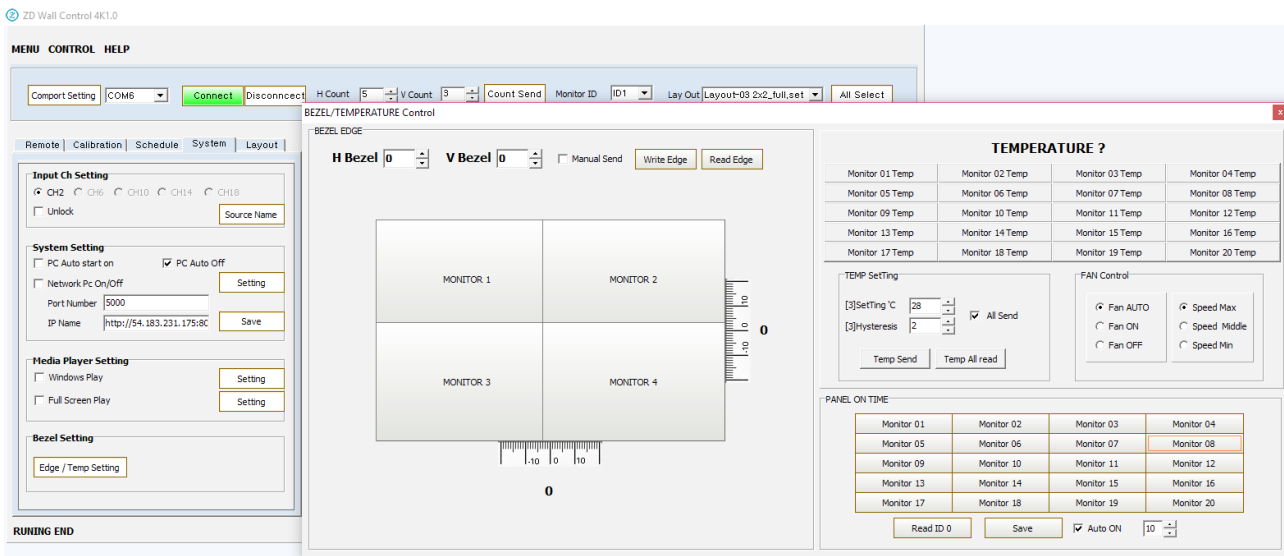
All ZoomDS displays will come factory color calibrated to its counterpart displays within a video wall configuration set. Additional changes can be made through the Calibration tab on the software.



8.0 ZD Wall Control - Software

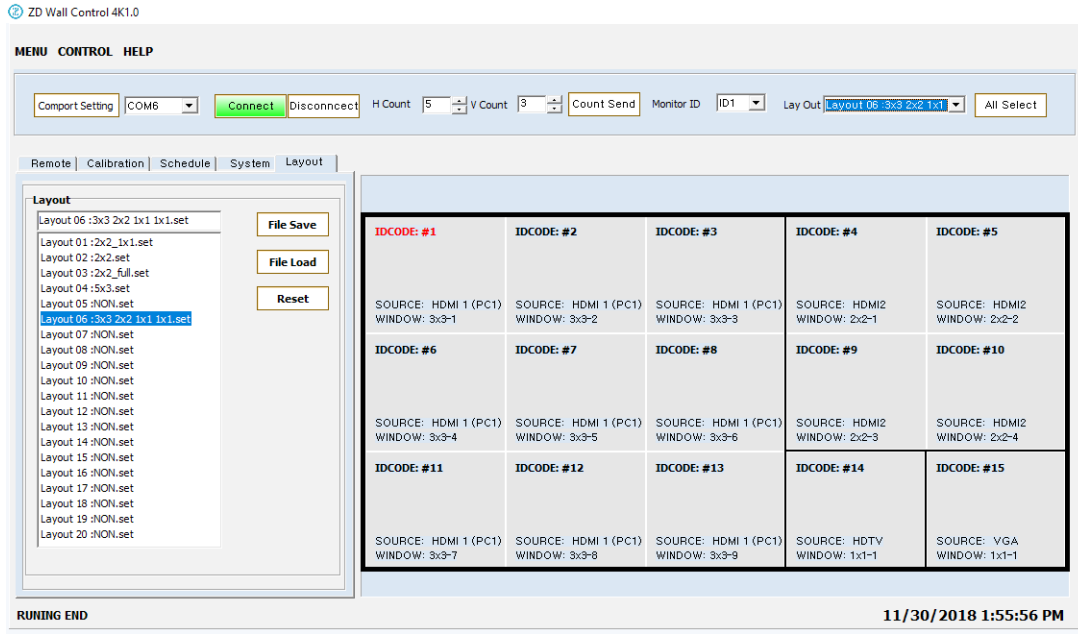


Under the Schedule tab, users can schedule ON/OFF time of displays, the layouts, and the back light brightness.



Under the Systems tab, users can manage the Bezel compensation of each display and the temperature control.

8.0 ZD Wall Control - Software



Under the Layout tab, users can save and load pre-configured display layouts. This includes different input sources chosen for independent displays or groups of displays. This powerful tool allows for matrix switching and eliminates the need for additional switching hardware.

9.0 WARRANTY POLICY

Warranty information

Manufacturer warranties apply to products, either one, two or three years from the date of purchase with serial identification. Quotations issued by Zoom Digital Signage or authorized representatives indicate the length of standard warranties for specific models. All video wall displays include two year standard warranties with optional one year extended warranty. Zoom Digital Signage offers a warranty that covers manufacturer's defects but does not cover any cosmetic damages (dents, cracks, scratches, etc.) or damages otherwise resulting from abuse, misuse, negligence or tampering. Warranties do not cover products that are used with inappropriate or unauthorized applications and/or operations.

Warranty types

Basic Warranty: Includes only parts and labor for either one or two years dependent upon product category. Return shipping is the responsibility of the customer.

Extended Warranty: Extended Warranty adds one year to Basic Warranty. Labor charges and shipping responsibility is identical to Basic Warranty.

In Warranty: FOC Repair (Free of Charge)

Out of Warranty: Paid Repair



Zoom Digital Signage

www.zoomds.us
info@zoomds.us
390 Swift Avenue STE 23
South San Francisco, CA 94080

Toll Free 1(855) 966-6371 (ZoomDS1)
Office 1(650) 952-3227
Fax 1(888) 762-2824